

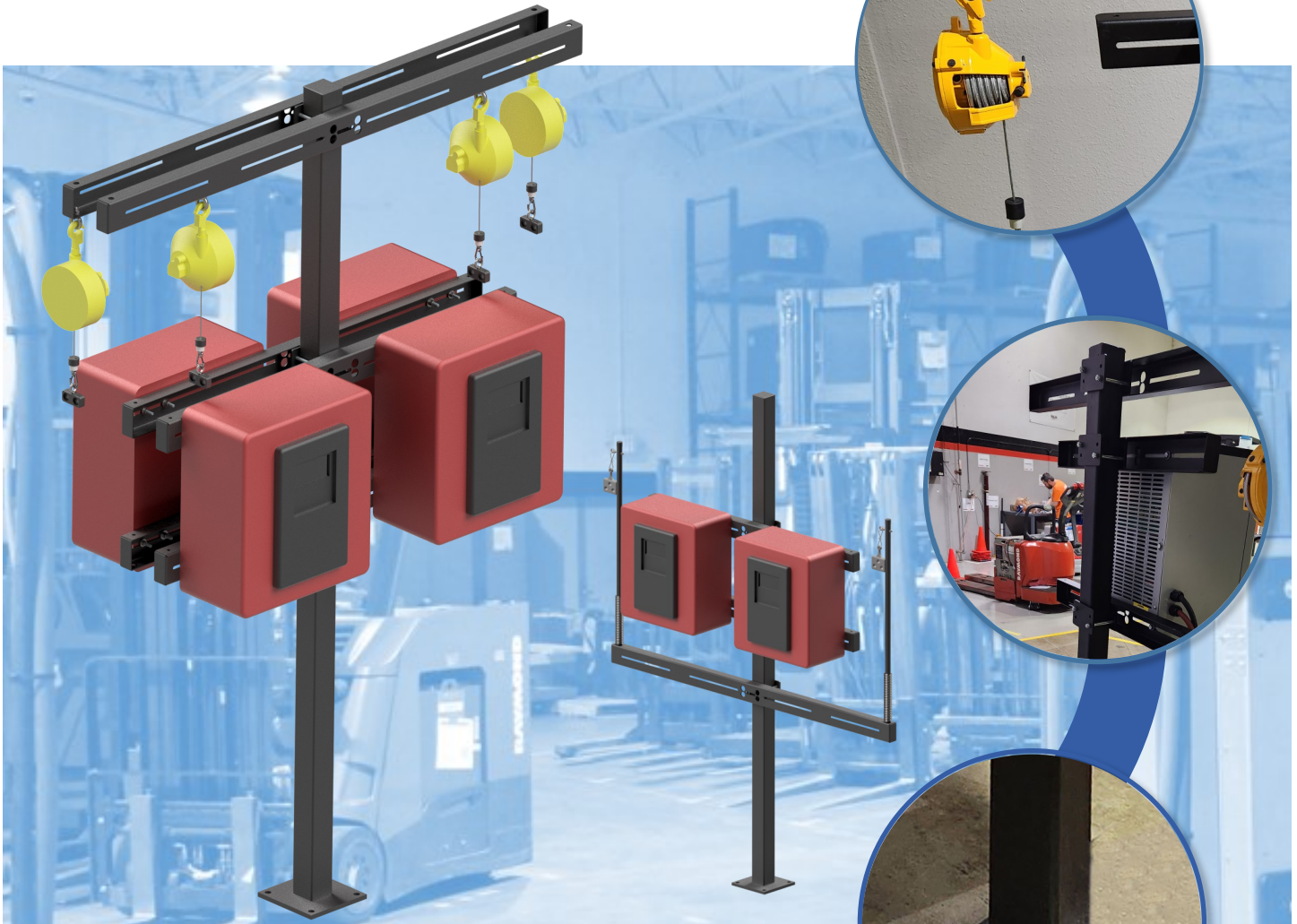
CSHFMM Series

SPECIFICATION SHEET



CSHFMM-*S-*H-*C*-*C*

High Frequency Charger Column



The CSHFMM Series Utilizes Adjustable Crossmembers to Accommodate Most High-Frequency Chargers on the Market Today.

CSHFMM Series

SPECIFICATION SHEET



Opportunity Charging Column

The MTC Model CSHFMM-SS and CSHFMM-DS Charger Columns are designed to provide a safe and economical battery charging solution for all sizes of lift truck fleets. The CSHFMM-SS and CSHFMM-DS are designed to accommodate almost any high frequency Charger on the market today. The CSHFMM-SS and CSHFMM-DS mount to the floor and provide convenient access for opportunity charging. The CSHFMM-SS and CSHFMM-DS are made of 11 GA tube and formed steel.



CSHFMM-SS w/BCR-58H-Cable Retractor

Features

- Made of powder-coated, heavy-duty tube and plate steel.
- Fully adjustable
- Optional BCR-H5 Hanging Cable Balancer.
- Optional BCR-59H Cable Retractor.

Benefits

- Assures long life and ease of sanitation.
- Accommodates almost any high frequency charger on the market today.
- Keeps charger leads out of the way.

Options

Hanging Cable Balancer (BCR-H5-KIT) is a heavy-duty spring-loaded reel which attaches to the battery cable allowing the battery cable to be extended for charging and retracted after charging is complete, keeping charger leads out of the way.

The BCR-H5 is available in the 5-9 kg option or the 9-15 kg option. The 9-15 kg option is the BCR-H5-KIT-HD.



BCR-H5-KIT Hanging Cable Balancer



BCR-58H-Cable Retractor

Battery Cable Retractor (BCR-58H) employs a heavy-duty spring and safety chain which allow the BCR-58H to bend and extend the battery cable for charging. When charging is complete, simply disconnect the battery cable and the BCR-58H will retract the cable, keeping charger leads out of the way.

**Contact the MTC
Sales Team
at (254) 298-2900, or
visit our website
www.gomtc.com**

CSHFMM Series

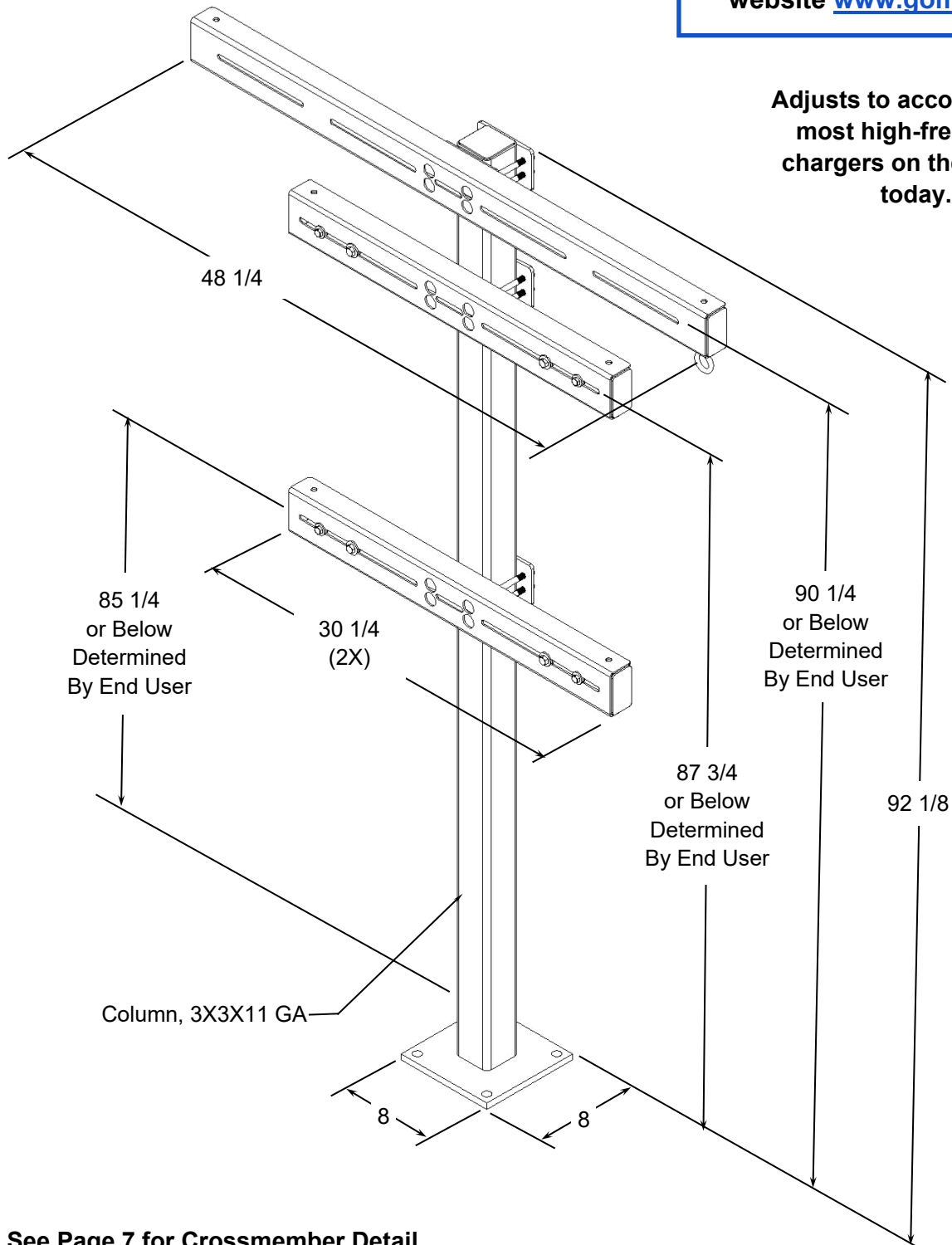
SPECIFICATION SHEET



CSHFMM-SS-92H-30C2-48C1 Dimensions

Contact the MTC Sales Team
at (254) 298-2900, or visit our
website www.gomtc.com

Adjusts to accommodate
most high-frequency
chargers on the market
today.



See Page 7 for Crossmember Detail

CSHFMM Series

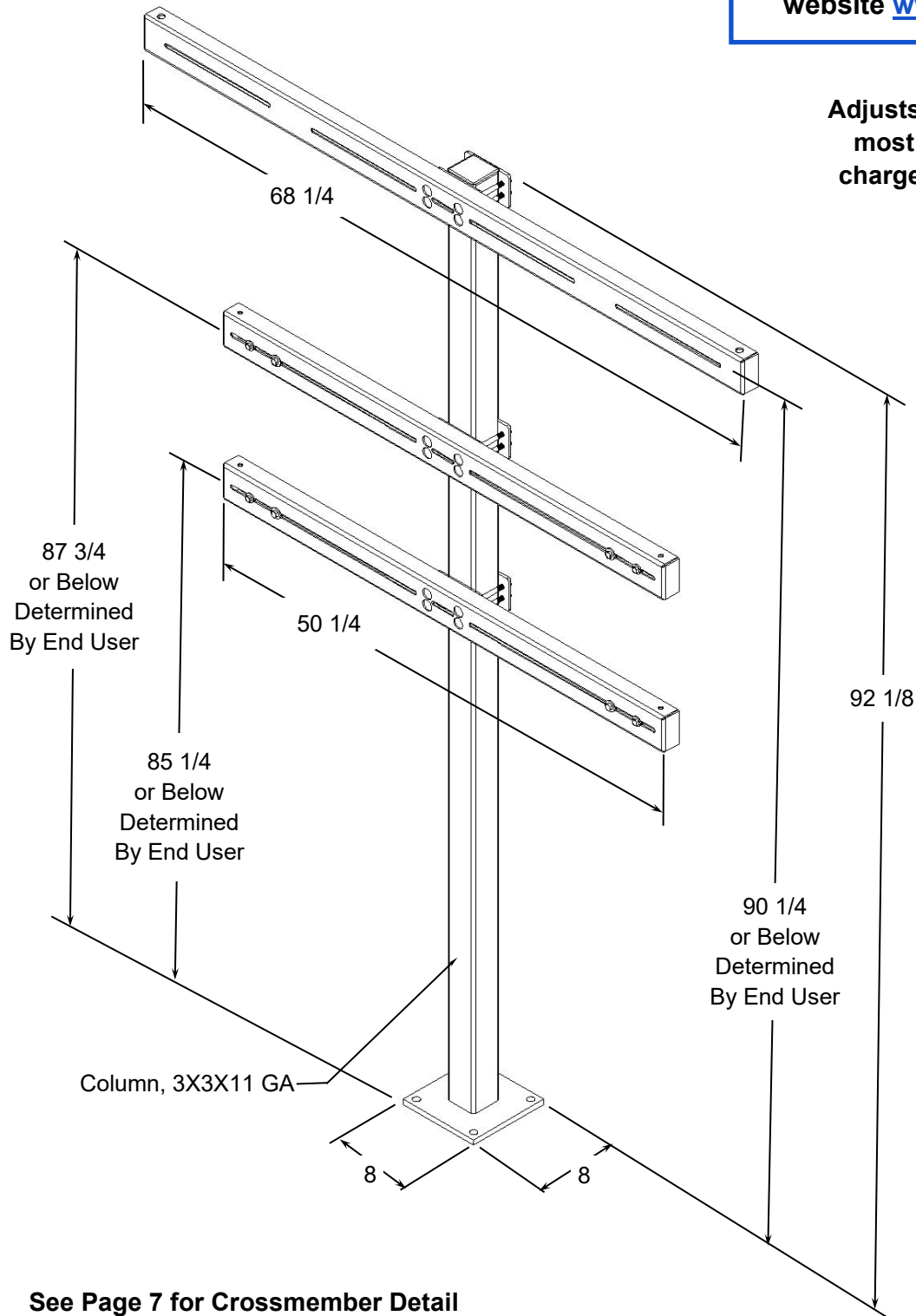
SPECIFICATION SHEET



CSHFMM-SS-92H-50C2-68C1 Dimensions

Contact the MTC Sales Team
at (254) 298-2900, or visit our
website www.gomtc.com

Adjusts to accommodate
most high-frequency
chargers on the market
today.



See Page 7 for Crossmember Detail

CSHFMM Series

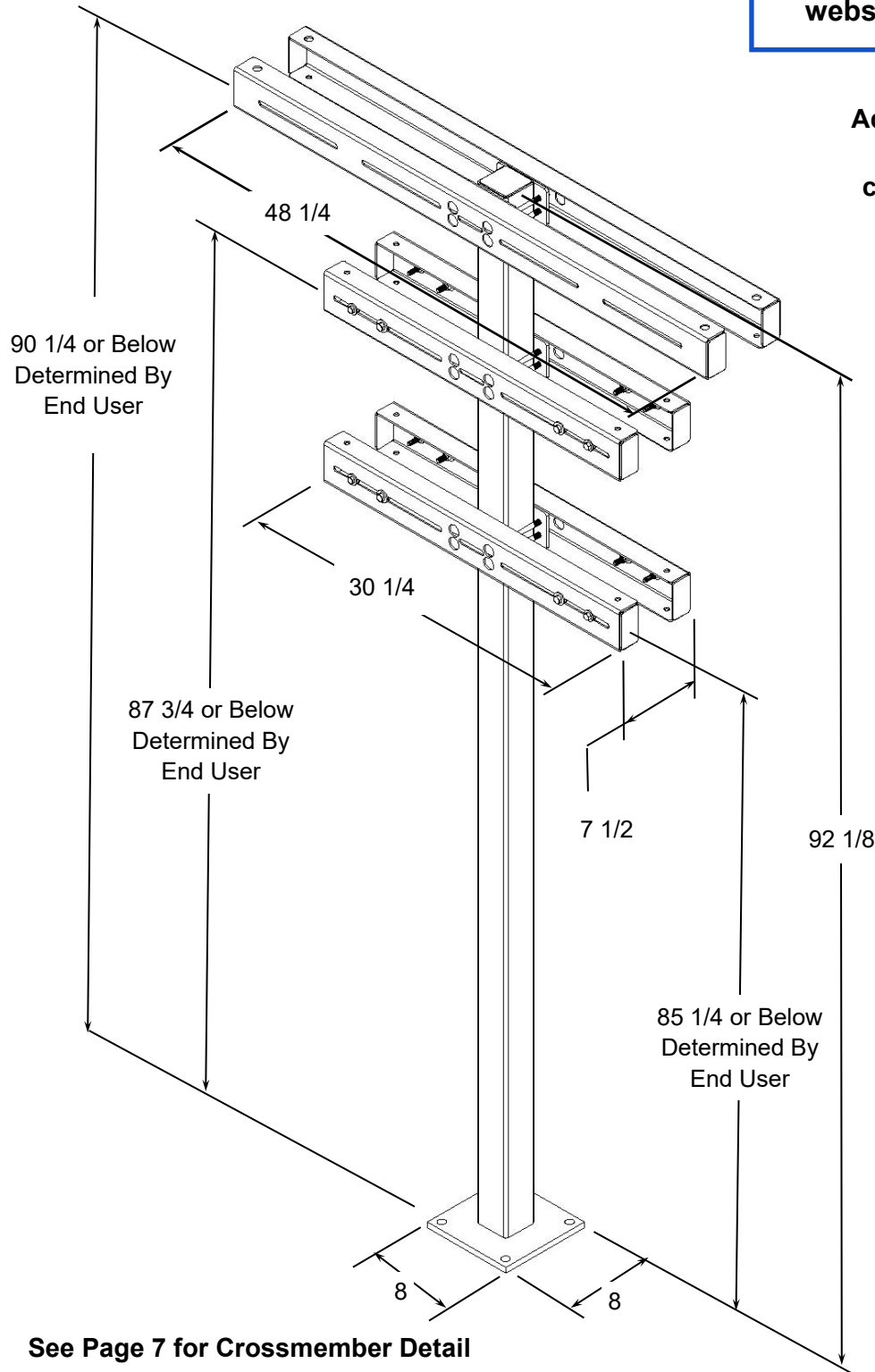
SPECIFICATION SHEET



CSHFMM-DS-92H-30C4-48C2 Dimensions

Contact the MTC Sales Team
at (254) 298-2900, or visit our
website www.gomtc.com

Adjusts to accommodate
most high-frequency
chargers on the market
today.



See Page 7 for Crossmember Detail

CSHFMM Series

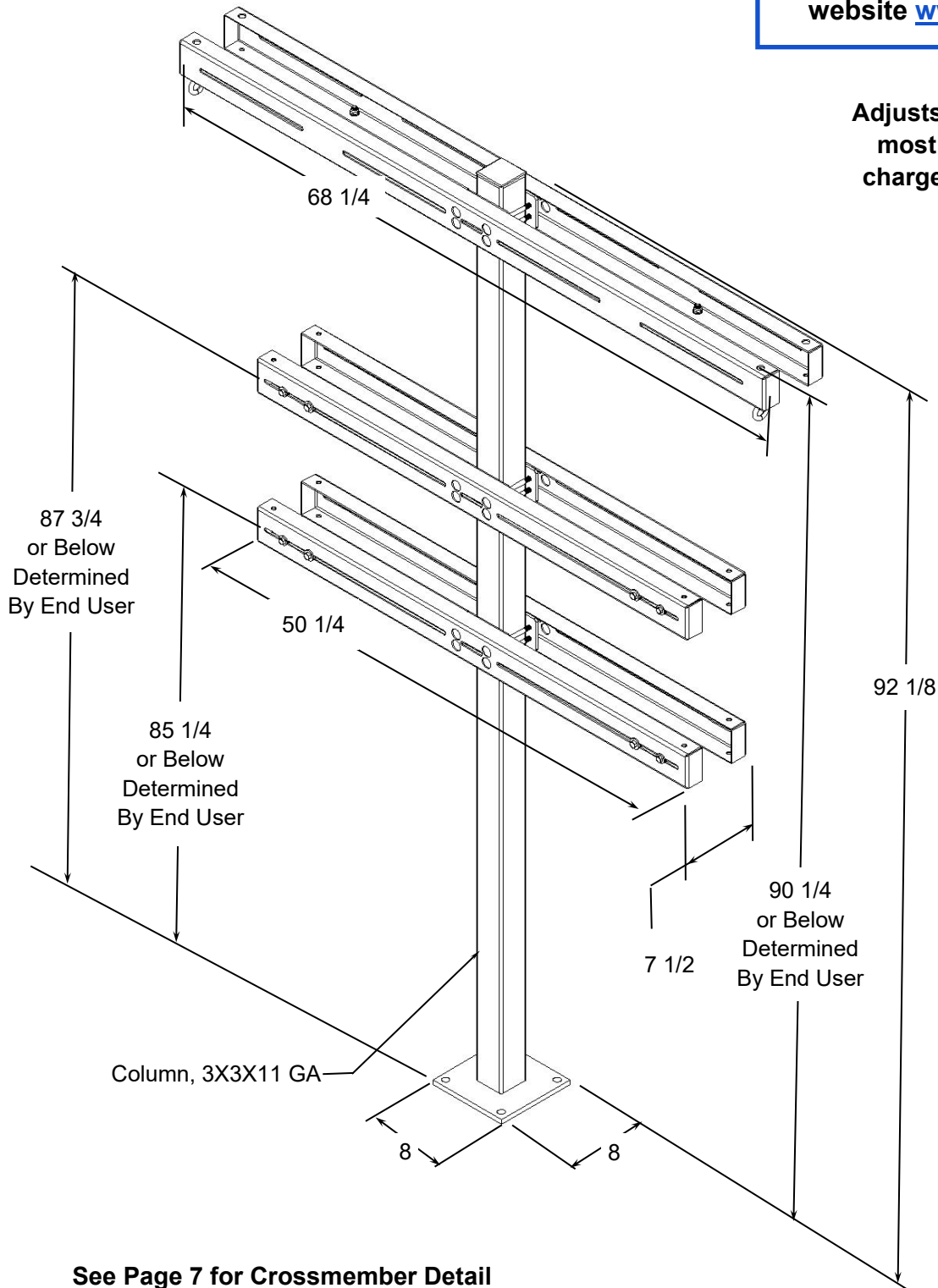
SPECIFICATION SHEET



CSHFMM-DS-92H-50C4-68C2 Dimensions

Contact the MTC Sales Team
at (254) 298-2900, or visit our
website www.gomtc.com

Adjusts to accommodate
most high-frequency
chargers on the market
today.



See Page 7 for Crossmember Detail

CSHFMM Series

SPECIFICATION SHEET

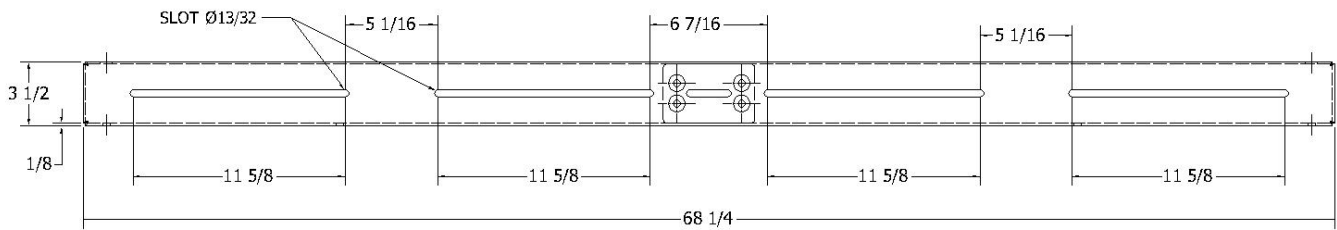
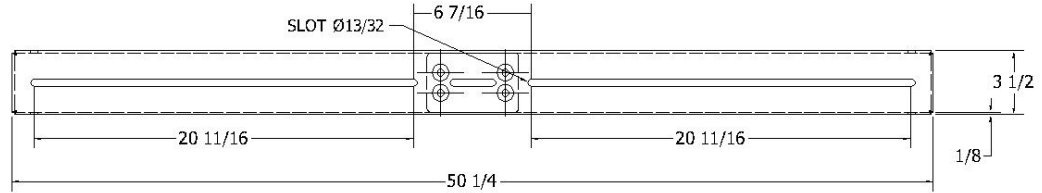


CSHFMM Series Opportunity Charging Columns

Crossmember Dimensions:

CSHFMM-SS-92H-50C2-68C1,

CSHFMM-DS-92H-50C4-68C2



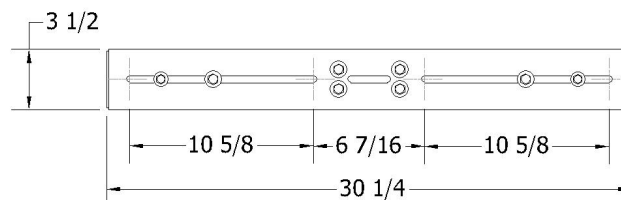
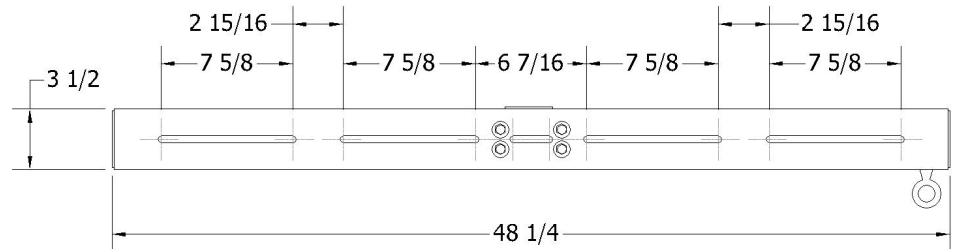
Model	Quan of Charger	Crossmembers	Crossmembers
CSHFMM-SS-92H-30C2-48C1 (Single Sided)	1	30" Crossmember 2 ea.	48" Crossmember 1 ea.
CSHFMM-SS-92H-50C2-68C1 (Single Sided)	2	50" Crossmember 2 ea.	68" Crossmember 1 ea.
CSHFMM-SS-92H-30C2-48C1 (Double Sided)	2	30" Crossmember 4 ea.	48" Crossmember 2 ea.
CSHFMM-SS-92H-50C4-68C1 (Double Sided)	4	50" Crossmember 4 ea.	68" Crossmember 2 ea.

Order your stands based on the quantity of chargers & crossmembers required.

Crossmember Dimensions:

CSHFMM-SS-92H-30C2-48C1,

CSHFMM-DS-92H-30C4-48C2



Contact the MTC Sales Team at (254) 298-2900, or visit our website www.gomtc.com