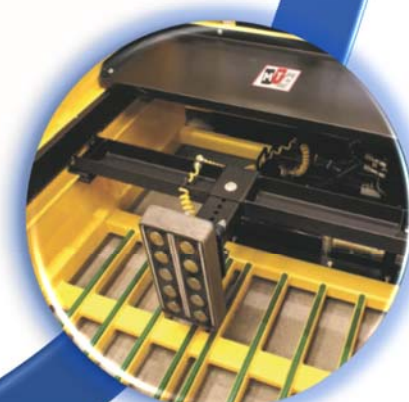
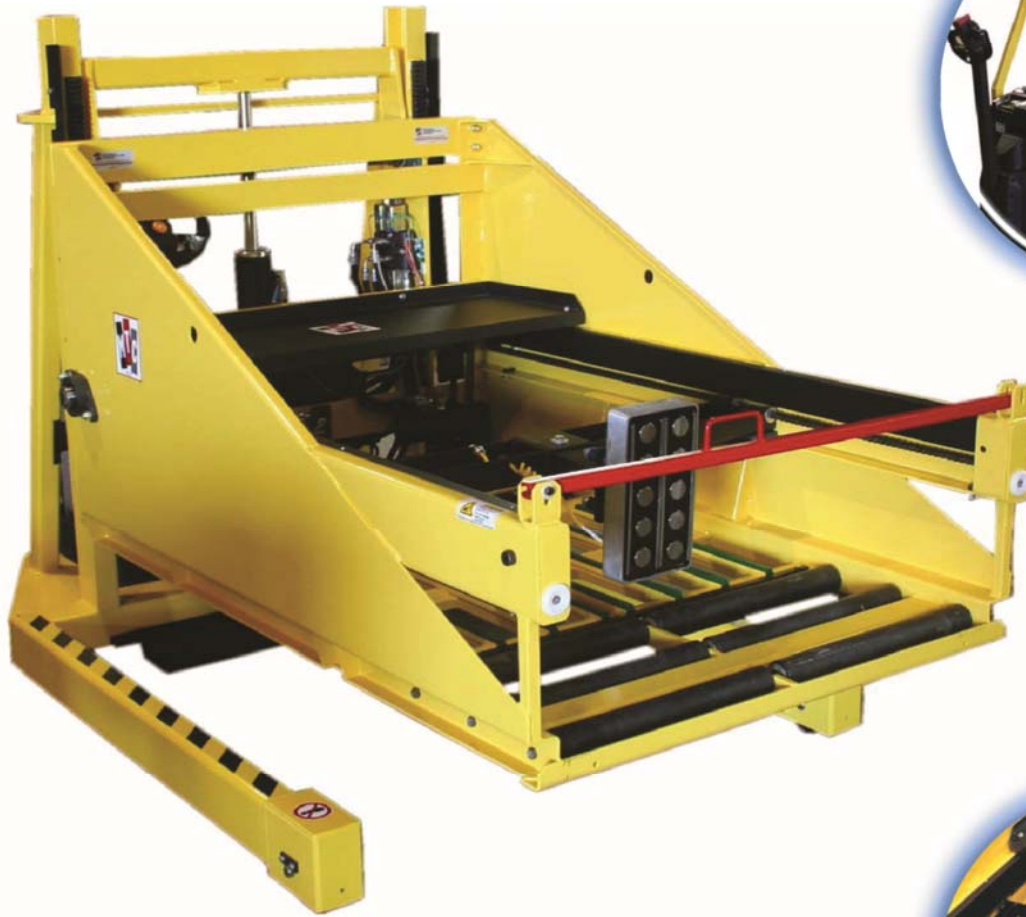


WALK-A-PULLER (WBP)

SPECIFICATION SHEET



WALK-A-PULLER (WBP)

SPECIFICATION SHEET



THE ECONOMIC BATTERY CHANGER

The Walk-A Puller (WBP) is a low-cost, versatile battery changer that is designed for the small fleet with a variety of battery compartment heights up to 27”.

The WBP lower & raise height benefits small pallet trucks and low-profile reach trucks while also handling the large sit-down rider batteries with compartments that are much higher from the ground.



Benefits

- *Portability of Changer Enables battery Changing at Various Locations Throughout the Facility*
- *Lift Height Abilities Result in Capabilities of Reaching Virtually All Lift Truck Battery Compartment Heights*
- *The Adjustable Arm Accommodates for Battery Attachment Over Wide Truck Outriggers*
- *Tow Speed Electric Drive Allows Operator to Choose the Safest Speed at Which to Retrieve and Transport Each Lift Truck Battery*
- *The Ease of Operation Allows Lift Truck Operator to Safely Change Batteries*

FEATURES

- *Portable, Self-Contained Battery Puller*
- *Front Loading*
- *Powered Vacuum Cup or Magnet Extraction*
- *Single Point/Dead-Man Controls*
- *Up-Down and In-Out Hydraulically Powered*
- *24-Volt Battery Pack with 110-Volt Built-in Charger*
- *Turning Radius:84”*
- *Battery Gate Standard*
- *Removal Height Adjusts from 4” to 27”*

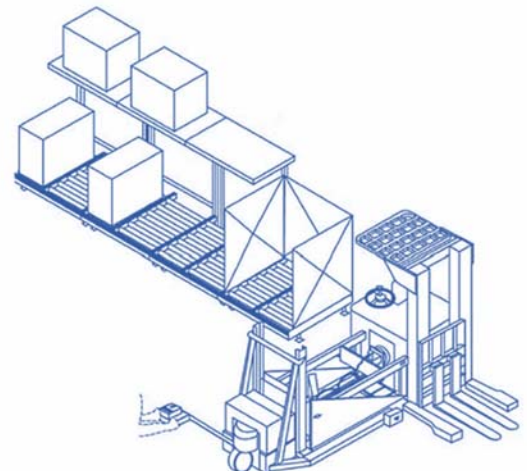
Options



Vacuum Cup Extraction (-V)

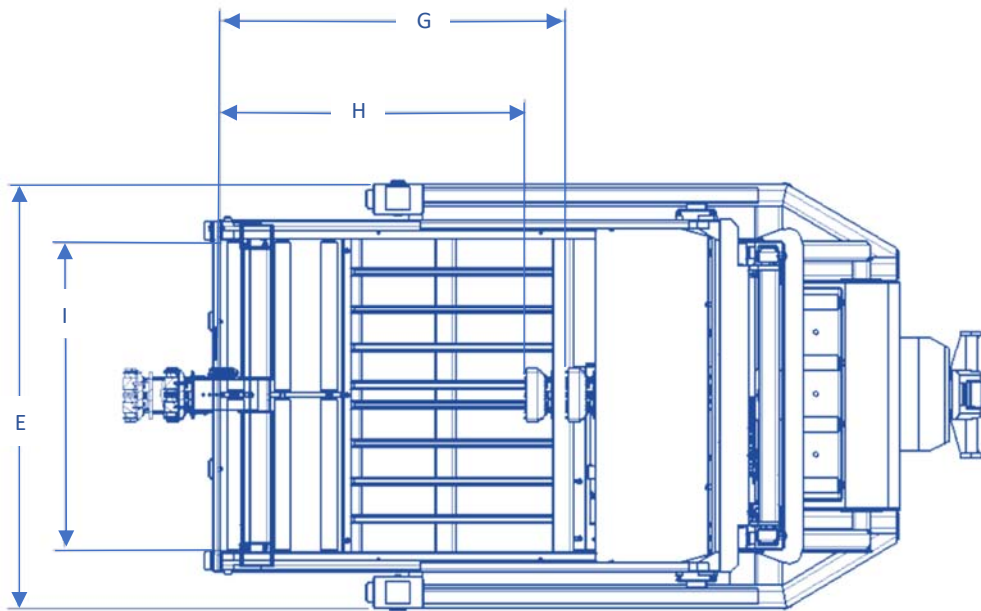


Magnet Extraction (-M)

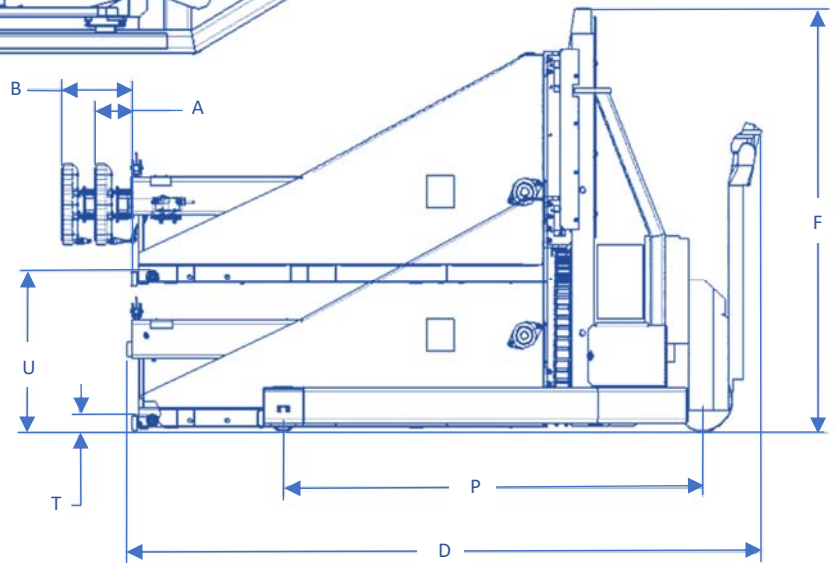


WALK-A-PULLER (WBP)

SPECIFICATION SHEET



**Magnet Dimensions
(See Chart)**



GENERAL INFORMATION		WBP-40-44
1	Maximum Load Capacity	4,000 lbs.
2	Hydraulic Pump Type	Gear
3	Power Unit (Battery) Type	Absorbed Glass Mat
4	Battery Attachment Mechanism	Magnet or Vacuum Cup
5	System Voltage	24 Volt
6	Standard Model Colors (Optional Colors Available)	Yellow
7	Roller Diameter	2 3/8"
8	Roller Shaft Size	11/16"
9	Push/Pull Drive Chain Size	#50
10	Minimum Service Aisle Width Required	14'
REACH INFORMATION		
A	Magnet Reach (draw bar fully retracted)	6 9/16"
B	Magnet Reach (draw bar fully extended)	12 9/16"
A1	Vacuum Cup Reach (draw bar fully retracted)	5 1/8"
B1	Vacuum Cup Reach (draw bar fully extended)	11 1/8"

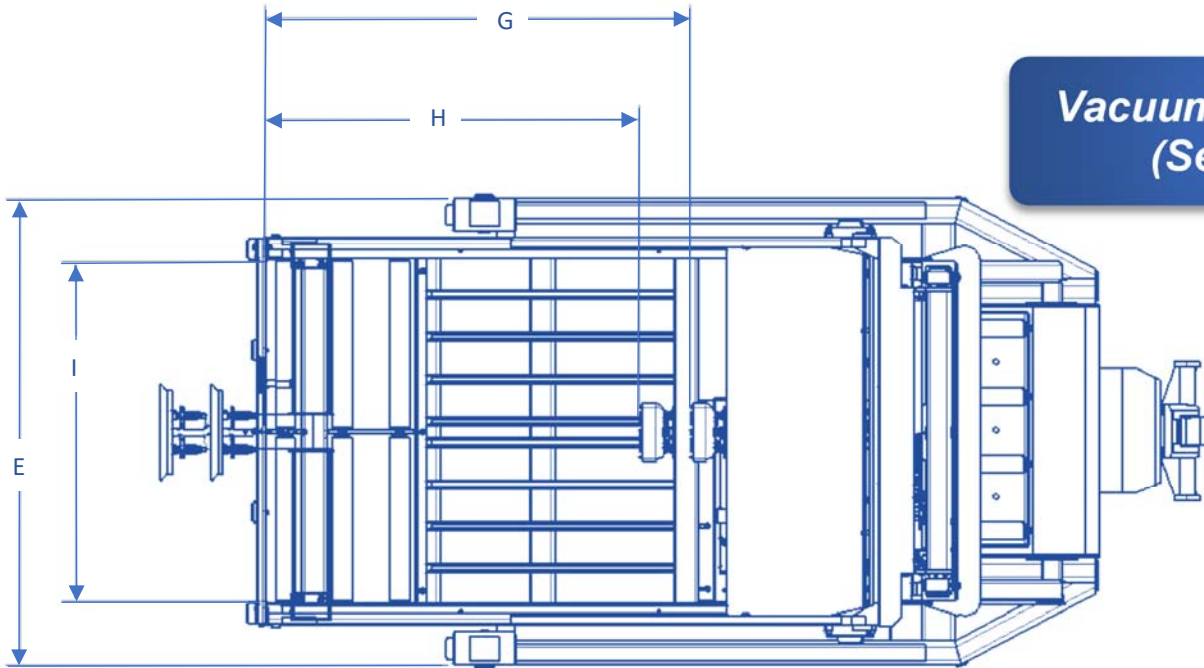
BASIC DIMENSIONS		
C	Vacuum Cup Size (Standard/Optional)	10" Round
D	Overall Length	110 1/2"
E	Overall Width	56 9/16"
F	Overall Height	70 5/8"
G	Maximum Compartment Depth (draw bar fully retracted)	46 1/2"
H	Minimum Compartment Depth (draw bar fully extended)	40 1/2"
I	Battery Compartment Width	40 1/4"
J	Maximum Battery Length	46"

WALK-A-PULLER (WBP)

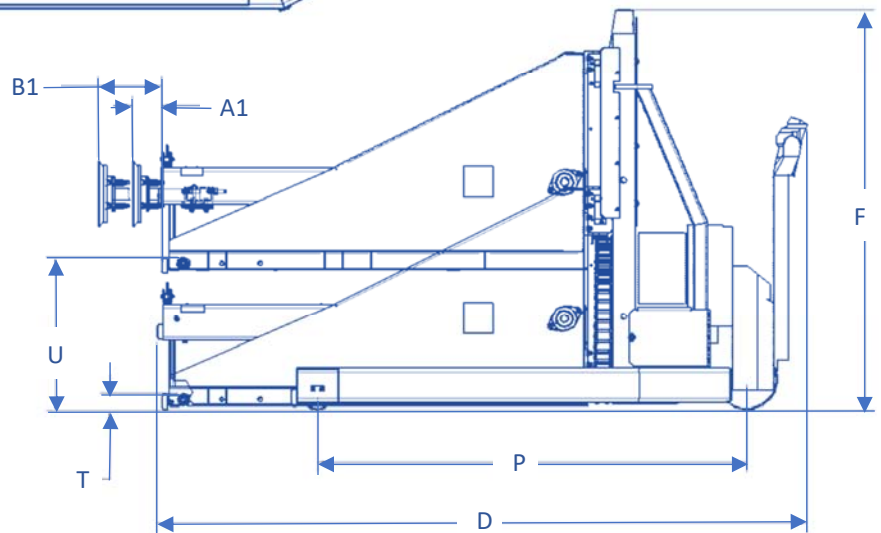
SPECIFICATION SHEET



**Vacuum Dimensions
(See Chart)**



BASIC DIMENSIONS		
K	Maximum Battery Width	40"
L	Maximum Battery Height	35"
M	Minimum Battery Length	14"
N	Minimum Battery Width	18"
O	Minimum Battery Height	18"
P	Wheelbase	75"
Q	Ground Clearance (Carriage Elevated 1")	1 1/2"
R	Grade Clearance	10%
S	Turning Radius	7'
T	Minimum Floor-to-Roller Height	4"
U	Maximum floor-to-Roller Height	27"
WEIGHTS		
Service Weight (unloaded, including power pack)		2800 lbs.
PERFORMANCE		
Maximum travel Speed (unloaded)		240 FPM
Carriage Raise/Lower Speed		8 FPM
Vacuum Arm Travel Speed		22 FPM
Rated Draw Bar Pull		900 lbs.



NOTES:

1. Specifications subject to change without notice.
2. Both models available with magnet or vacuum cup attachment per customer request.
3. Both models available without battery pack per customer request.
4. Draw bar extension and retraction will affect battery compartment depth (See specification items G and H).
5. Performance may vary +/-5% due to system efficiency tolerance. The performance shown represents nominal values obtained under typical operating conditions.