

# BATTERY ROLLER STAND (RS)

## SPECIFICATION SHEET



# BATTERY ROLLER STAND (RS)

## SPECIFICATION SHEET



### ROLLER STAND (RS SERIES)

The MTC Roller Stand is Designed to Provide an Economical and Durable Solution for Charging Batteries within a Side Removal Battery Application. Made of Heavy-Duty Materials, Non-Conductive Roller Beds, Spring Loaded Rollers, Adjustable Legs Heights, and Battery Safety Stops. Their Durable Construction and Low Maintenance Make Them Ideal for Smaller Fleets.

### FEATURES

Heavy-Duty Construction Meeting OSHA Requirements

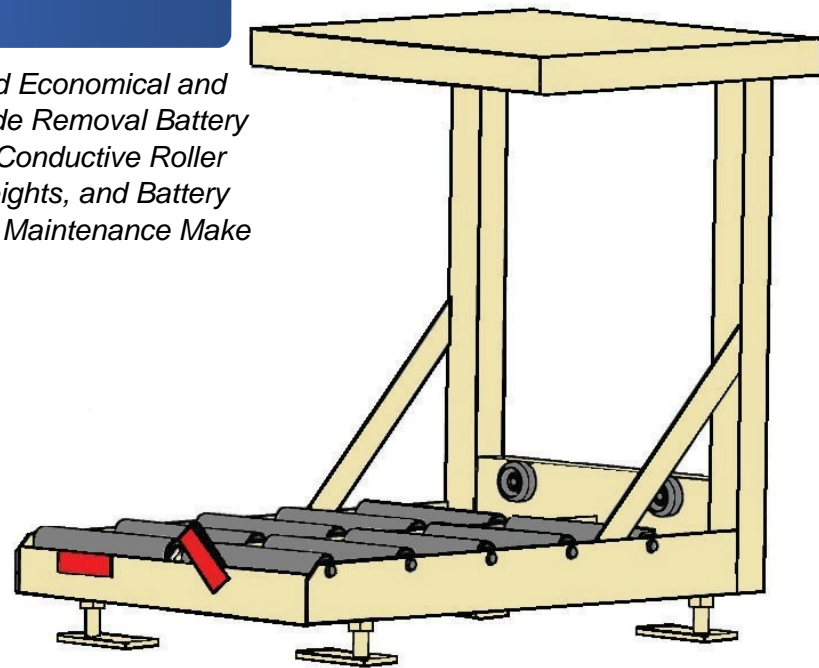
Non-Conductive Roller Bed

Spring Loaded Rollers

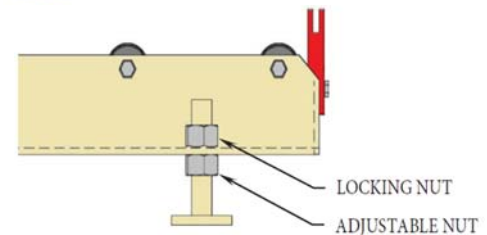
Threaded Rod Legs Allow Adjustability of Plus or Minus 1/2"

Battery Safety Stops

800lbs Capacity Charger Shelf



Battery Safety Stops



Threaded Rod Leg

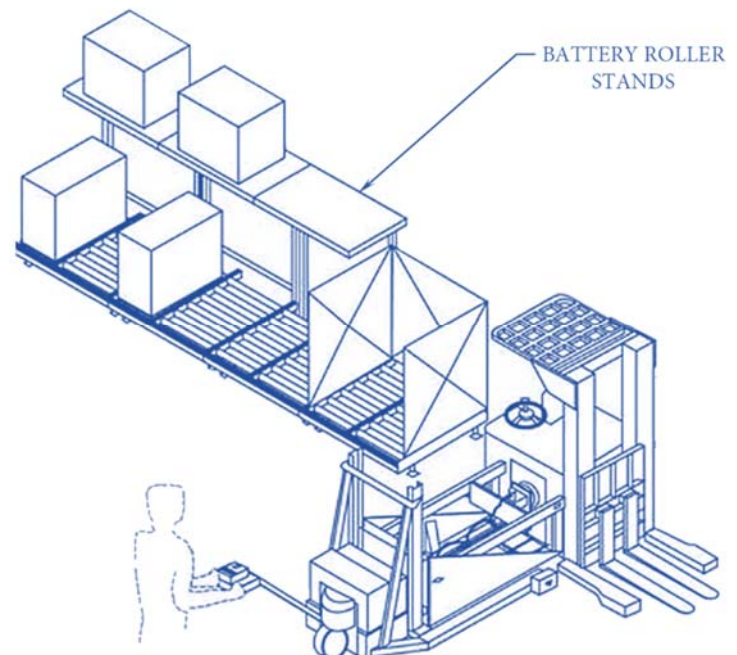
### Options



LCS Model – Less Charger Shelf Model



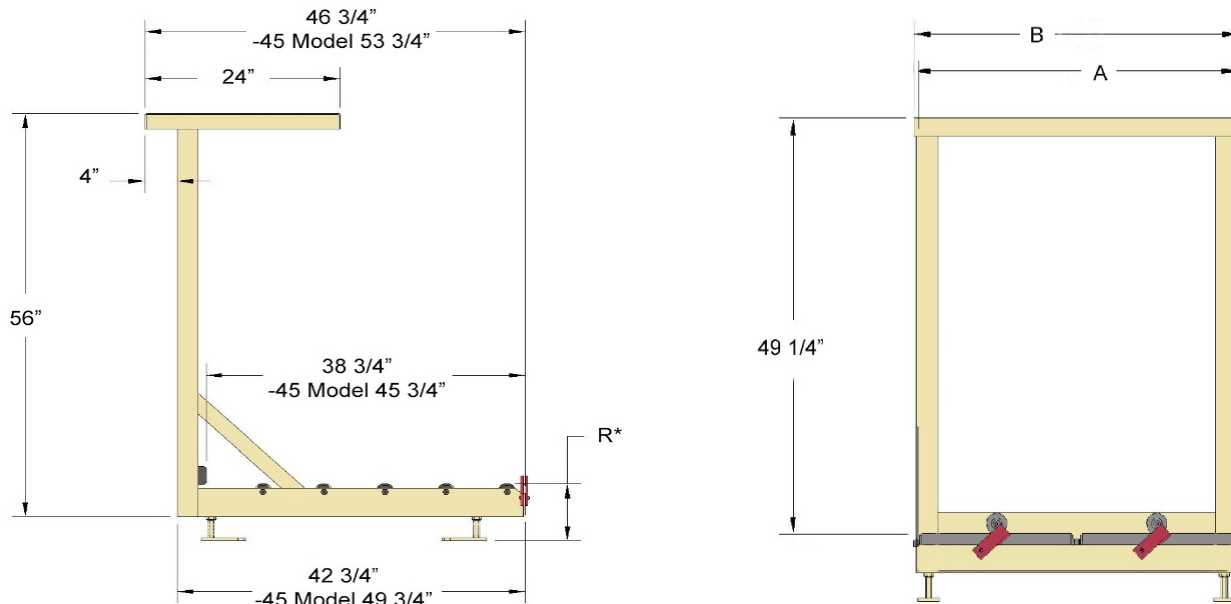
Slide Out Stainless Steel Drip Pan



Not Pictured: (3) Battery Compartment Models  
Additional Battery Depth (-45 Model)

# BATTERY ROLLER STAND (RS)

## SPECIFICATION SHEET



GENERAL INFORMATION	12's	15's	18's	21's	24's	27's	30's	34's
Model #	RS-12-2 RS-12-3	RS-15-2 RS-15-3	RS-18-2 RS-18-3	RS-21-2 RS-21-3	RS-24-2 RS-24-3	RS-27-2 RS-27-3	RS-30-2 RS-30-3	RS-34-2 RS-34-3
"A" = Overall Frame Width	25 1/2" 38 1/4"	31 1/2" 47 1/4"	37 1/2" 56 1/4"	43 1/2" 65 1/4"	49 1/2" 74 1/4"	55 1/2" 83 1/4"	61 1/2" 92 1/4"	69 1/2" 104 1/4"
"B" = Overall Width w Charger shelf	26" 38 3/4"	32" 47 3/4"	38" 56 3/4"	44" 65 3/4"	50" 74 3/4"	56" 83 3/4"	62" 92 3/4"	70" 104 3/4"
Roller Width Per Compartment	11 9/16"	14 9/16"	17 9/16"	20 9/16"	23 9/16"	26 9/16"	29 9/16"	33 9/16"
MAX Battery Length	STANDARD MODEL (RS-XX-X) 38-5/8" / EXTENDED DEPTH - 45 MODEL (RD-XX-X-45) = 45 5/8"							
MAX Battery Height	33"							
MAX Charger Shelf Capacity	800lbs	800lbs	800lbs	800lbs	800lbs	800lbs 1,600lbs	800lbs 1,600lbs	800lbs 1,600lbs
MAX Load Capacity Per Compartment	1,800lbs	2,200lbs	2,700lbs	3,150lbs	3,600lbs	4,500lbs	4,500lbs	5,100lbs

### DRIP PAN ASSEMBLY

SSDP-RSXX-X-SL	STAINLESS STEEL DRIP PAN ASSEMBLY; XX-X Represents Roller Stand Model. (ORDER ONE PER STAND)
SSDP-RSXX-XSL45	STAINLESS STEEL DRIP PAN ASSEMBLY; XX-XSL45 Represents Roller Stand Model. (ORDER ONE PER STAND)

### ADDITIONAL INFORMATION

5/8" – Roller Clearance Above Center Base
21/32" Foot Plate Anchoring Hole
1/2" x 3/2" Recommended Anchoring Bolt Size
Standard Model Paint Color is MTC Beige

### ORDER NOTES

MODEL NUMBER DESIGNATION  
Compartment Width # of Compartments  
 RS - [ ] - [ ]

"R\*" = THE "R" DIMENSION IS MEASURED FROM THE FLOOR TO THE TOP OF THE ROLLER

"R\*" = THE "R" DIMENSION MUST BE SPECIFIED AT TIME OF ORDER