

SIDE DISCHARGE ATTACH-A-PULLER GLOBAL (ABPG SD)



SIDE MOUNTED BATTERY CHANGER

The ABPG Side Discharge is an All Electric Economical Attachment for a Forklift. Specifically Designed as a Back-Up Unit to be Operated within the Power Changer System Aisle. The ABPG SD is a Safe, Affordable, and Flexible Power Changer Back-up

FEATURES

Portable Unit That Mounts to Existing Forklift

Forklift Battery Provides Power to the ABPG SD

Available in 24", 32", & 40" Compartment Widths

Powered Vacuum Cup or Magnet Extraction

Raise/Lower Function of Forklift Adjusts the Roller Height of the ABPG SD

Up to a 5,000 lb Weight Capacity

Unit Will Accommodate Batteries up to 39.5" Wide by 50" Length

Tethered Controls Assist to Reach Operators Forklift Operators Position

Provided with 5.5" Wide and 32" Center to Center Fork Pockets'

Includes "Y" Cables Connections to Forklift

Battery Safety Gate Standard on all Units



Durable Electric Gear Motor Drives Two Roller Chains, Moving the Battery In and Out of the Carriage



Tethered Remote Control to Reach and Accommodate Operators Needs For a Forklift Application



Y-Cable Connects Between the ABPG, the Forklift, and the Forklift's Battery

Options



Vacuum Cup Extraction (-V)



Magnet Extraction (-M)

Benefits

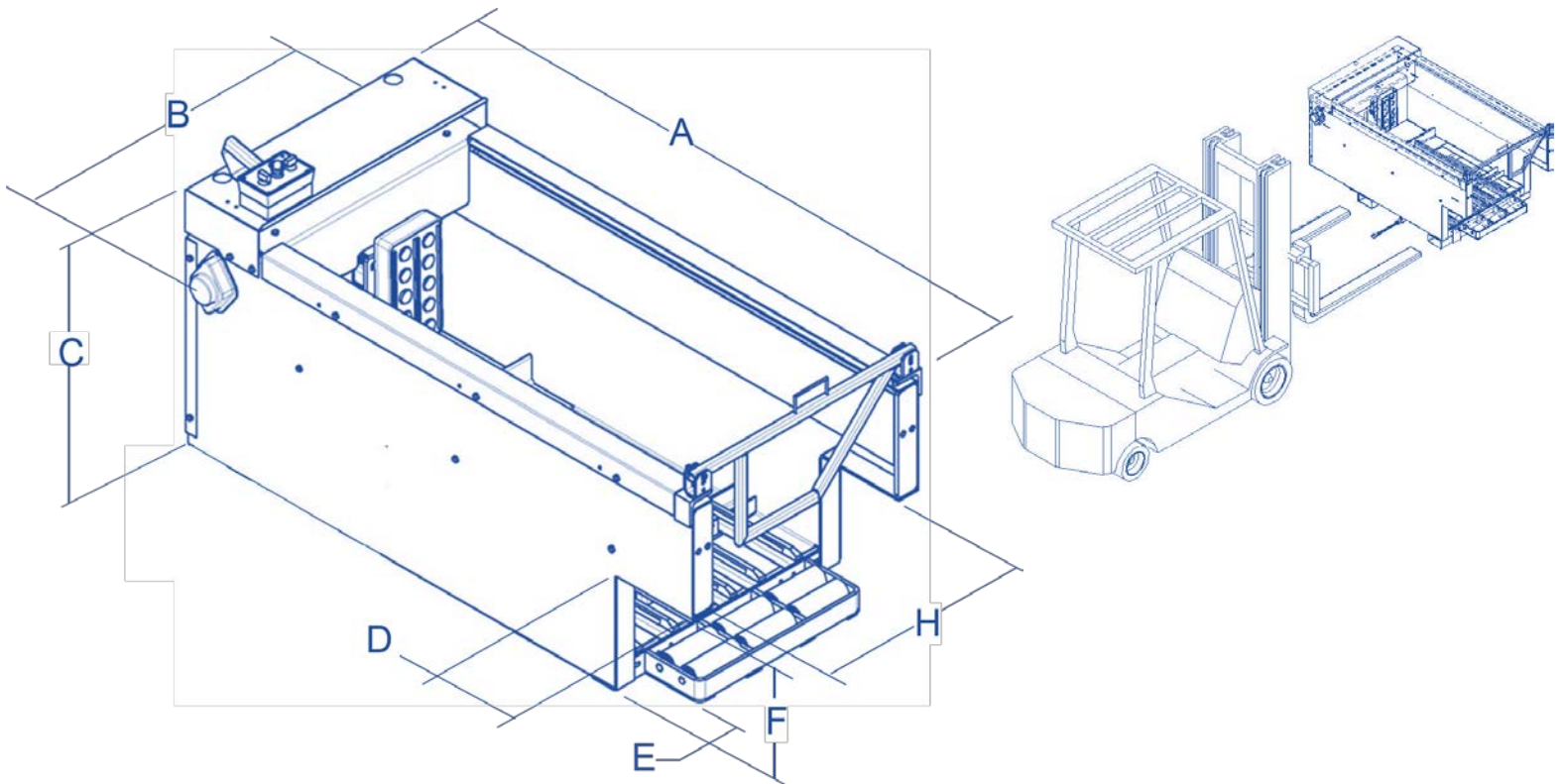
Durable Electric Gear Motor

Accommodates Up to 50" Battery Length



SD ATTACH-A-PULLER GLOBAL

SPECIFICATION SHEET



SIDE DISCHARGE ATTACH-A-PULLER		ABPG-24-X-X-FPSD	ABPG-32-X-X-FPSD	ABPG-40-X-X-FPSD
General Information				
Maximum Capacity with 48" Forks		5000 lbs.		
Unit R-Height from Base to Front Roller		2.8125"		
Unit R-Height with standard FP9 Fork Pockets		5.8125"		
Available Voltage (based on pallet jack used)		24V, 36V, 48V		
A	Overall Length	68"		
B	Overall Width	33.5"	41.5"	49.5"
C	Overall Height	33"		
D	Outrigger Cutout Depth	10.375"		
E	Outrigger Cutout Width	4.25"	8.25"	12.25"
F	Outrigger Cutout Height	13.5"		
G1	Compartment Depth (ext. arm retracted)	50.5"		
G2	Compartment Depth (ext. arm extended)	45.5"		
H	Compartment Width	24.75"	32.75"	40.75"
I	Recommended Minimum Battery Width	6"		
J	Recommended Minimum Battery Height	19"		
K	Recommended Maximum Battery Width	23.5"	31.5"	39.5"
L	Recommended Maximum Battery Length	50"		
M	Recommended Maximum Battery Height	38"	40"	48"
N	Max Fork Width (FPSD)	5.25"	5.25"	5.25"
O	Center to Center of Fork Pockets (FPSD)	30"	30"	30"

CONTACT FACTORY FOR APPLICATIONS OUTSIDE OF LISTED PARAMETERS