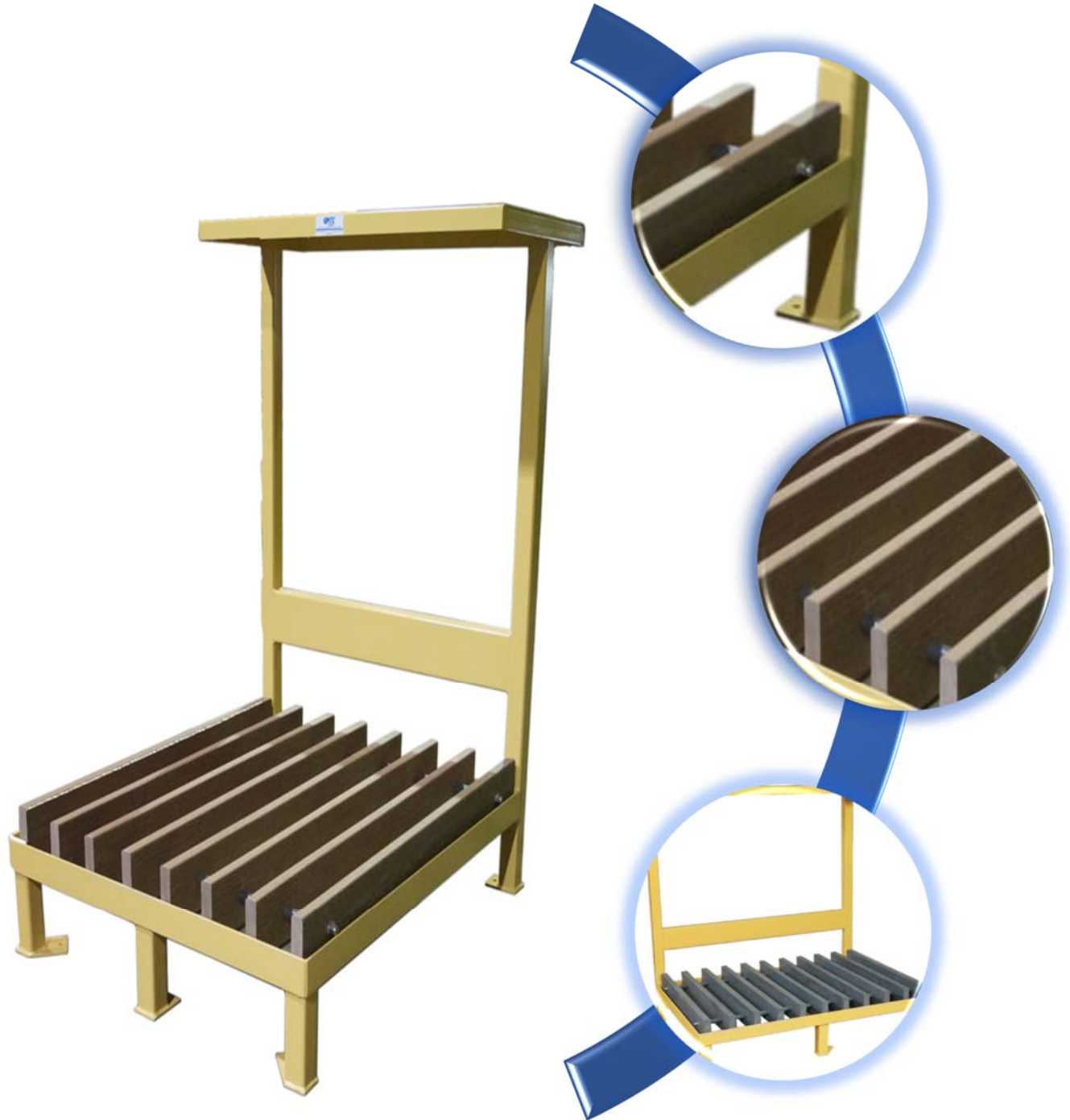


HARDWOOD CHARGING STATION

SPECIFICATION SHEET



HARDWOOD CHARGING STATION (HS)

The MTC Model HS Battery Stations are designed to be used with MTC overhead removal systems (gantry cranes). They provide MTC customers with an economical and durable solution for charging and storing forklift batteries. Made of heavy-duty materials, with acid-resistant Enviro-wood interlay and corrosion-resistant spacers.

FEATURES

Heavy-Duty Construction Meeting OSHA Requirements

Corrosion resistant Spacers

Acid Resistant Enviro-Wood Charging Surface

800lbs Capacity to 1,600lb Capacity Charger Shelf Depending on Model



Options



(-LCS Model) – Less Charger Shelf Model



Slide Out Stainless Steel Drip Pan

Not Pictured: Additional Battery Depth Model (-45 Model)

BENEFITS

Ensures Trouble Free Operation

Assures Safety and Ease of Use

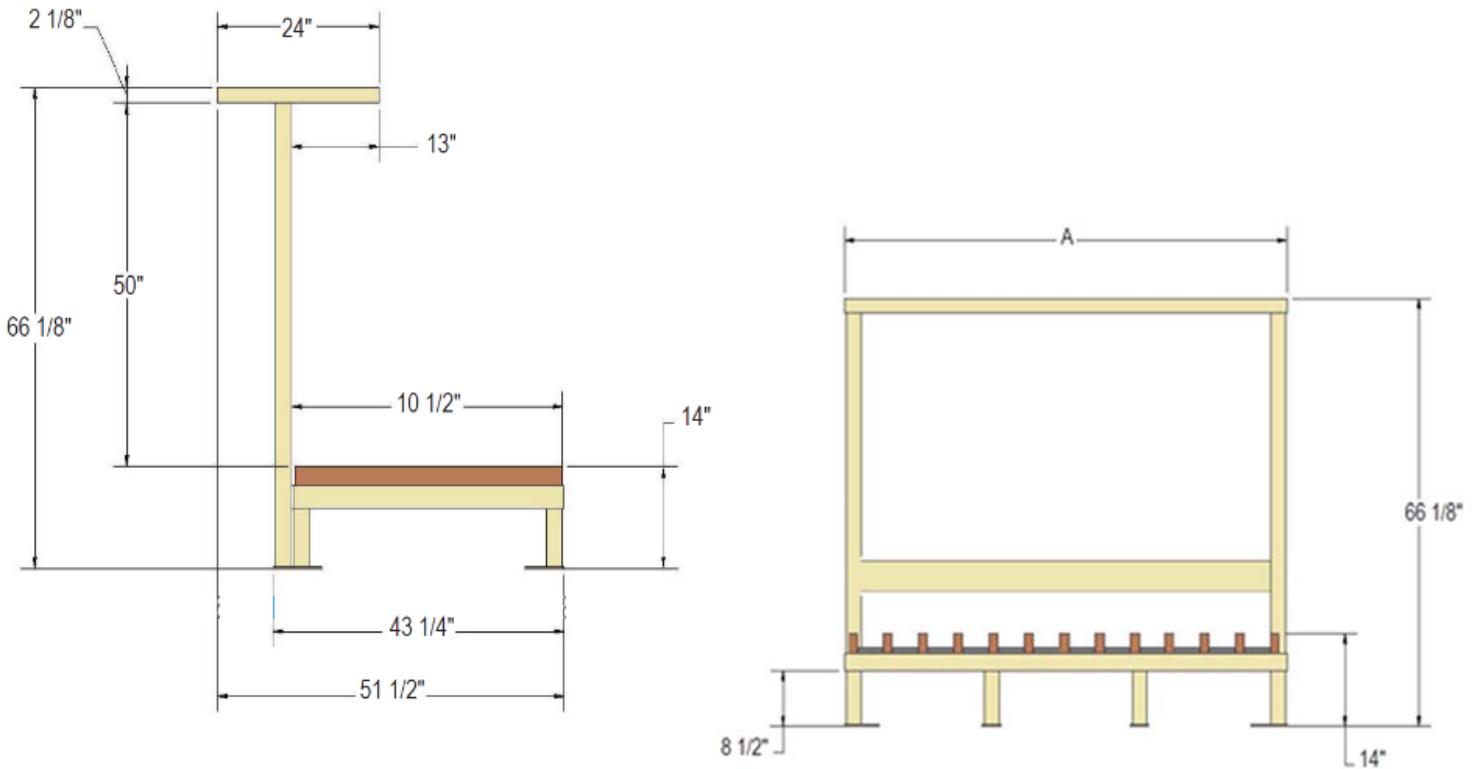
Fits Most Battery makes and Models

Suits Changing Business Needs

Will not Conduct Electricity with Proper Use

HARDWOOD CHARGING STATION

SPECIFICATION SHEET



MODEL NUMBER	BASE CAPACITY	CHARGER SHELF CAPACITY	DIMENSION "A"
HS-30	4,500lbs.	800lbs.	32"
HS-42	6,300lbs.	800lbs.	44"
HS-60	9,000lbs.	800lbs.	62"
HS-72	10,800lbs.	800lbs.	74"
HS-84	12,600lbs.	800lbs.	86"
HS-100	15,000lbs.	1,600lbs.	102"
MODEL OPTIONS			
HS-XX-LCS	Add "-LCS" to Model Number for Hardwood Charging Station Less Charger Shelf		
HS-XX-LR	Add "-LR" to Model Number for Enviro-Wood Run Left to Right. (Safety Note: LR Required for Batteries less than 12" Wide)		
HS-XX-45	Add "-45" to Model Number for Batteries Deeper than 38.50" (Model Numbers Ending in "-45" Have Charing Surfaces that are 6" Deeper than Std)		
DRIP PAN ASSEMBLY			
SSDP-HSXX-X-SL	STAINLESS STEEL DRIP PAN ASSEMBLY		
SSDP-HSXX-XSL45	STAINLESS STEEL DRIP PAN ASSEMBLY		

NOTE: Certain Applications May Require More than One Model Option to the HS Series Stand.

For Example: [HS-100-LCS-45](#)