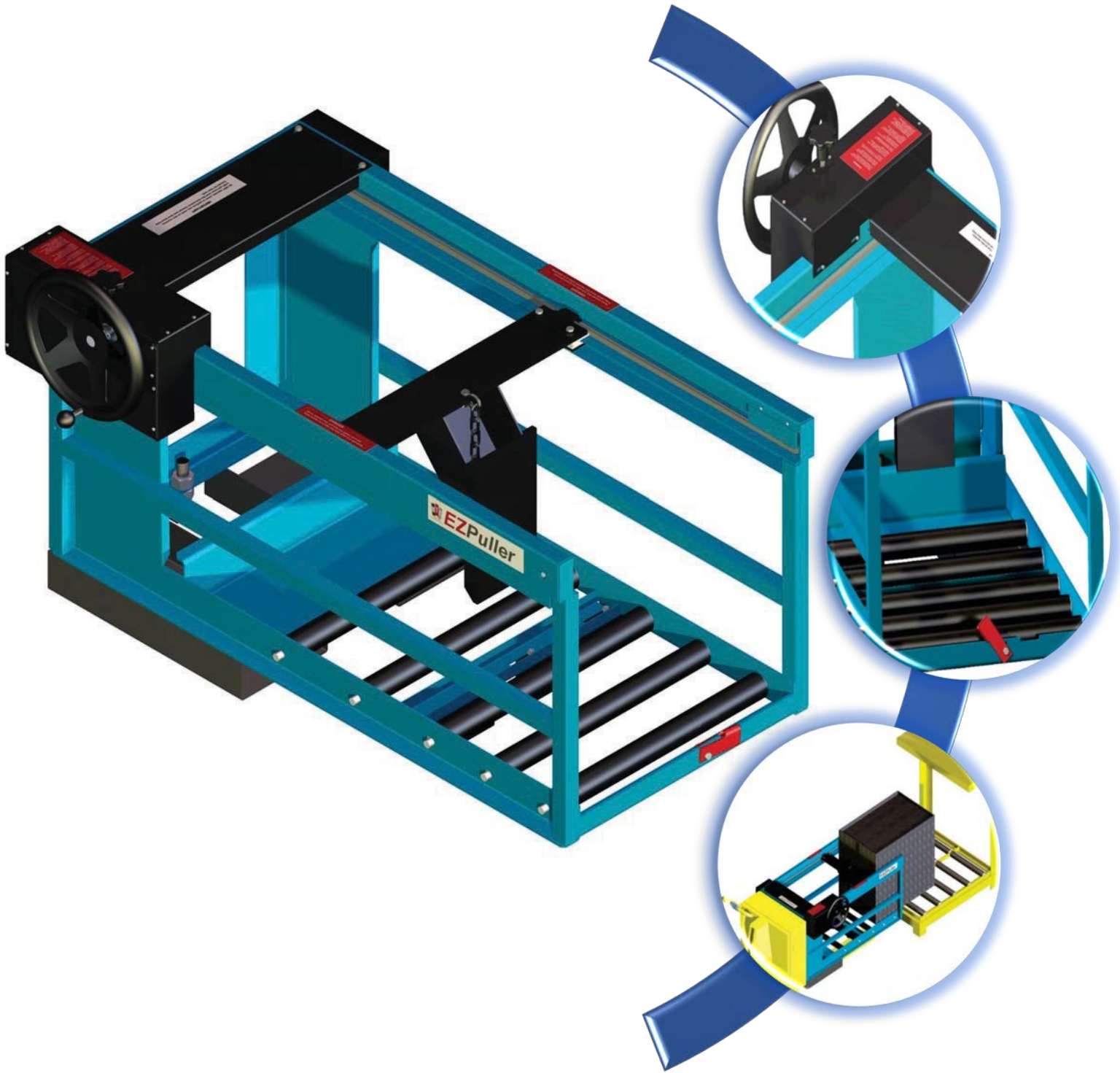


EZ PULLER

SPECIFICATION SHEET



EZ PULLER

SPECIFICATION SHEET



MANUAL BATTERY CHANGER

The MTC Model EZP Battery Transfer Cart is Designed to Provide a Safe and Economical Battery Handling Solution for Smaller Lift truck Fleets. They EZP Attaches to a Customer Supplied Pallet Truck and is Operated by One Person. The EZP Utilizes Gears, Chains, and a Hand Wheel, to Manually Pull a Battery Out of One Compartment, Transport it, and Slide it into Another, Compartment.

FEATURES

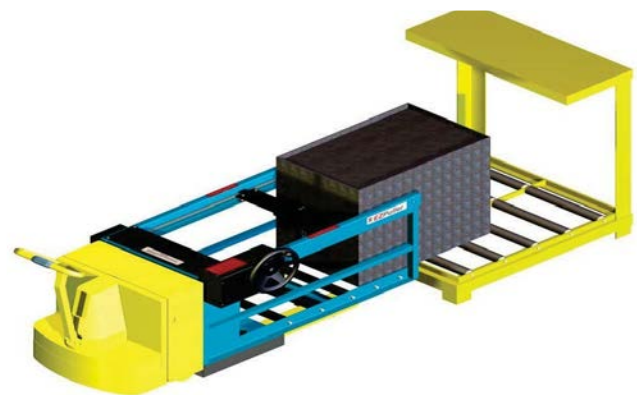
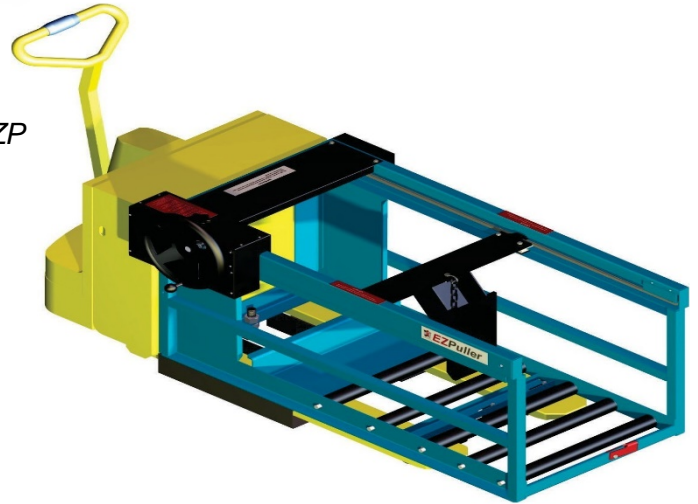
Manual Wheel Crank Battery Extraction

Heavy Duty Rollers

Durable Powder Coat Finish

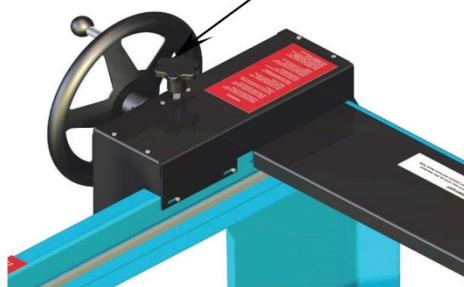
Fork Pockets

Battery Safety Stop



Battery Safety Stop

Manual Brake Knob



Manual Brake Knob

Benefits

Mechanical Push/Pull Mechanism Allows Easy & Safe Loading and Unloading of Batteries

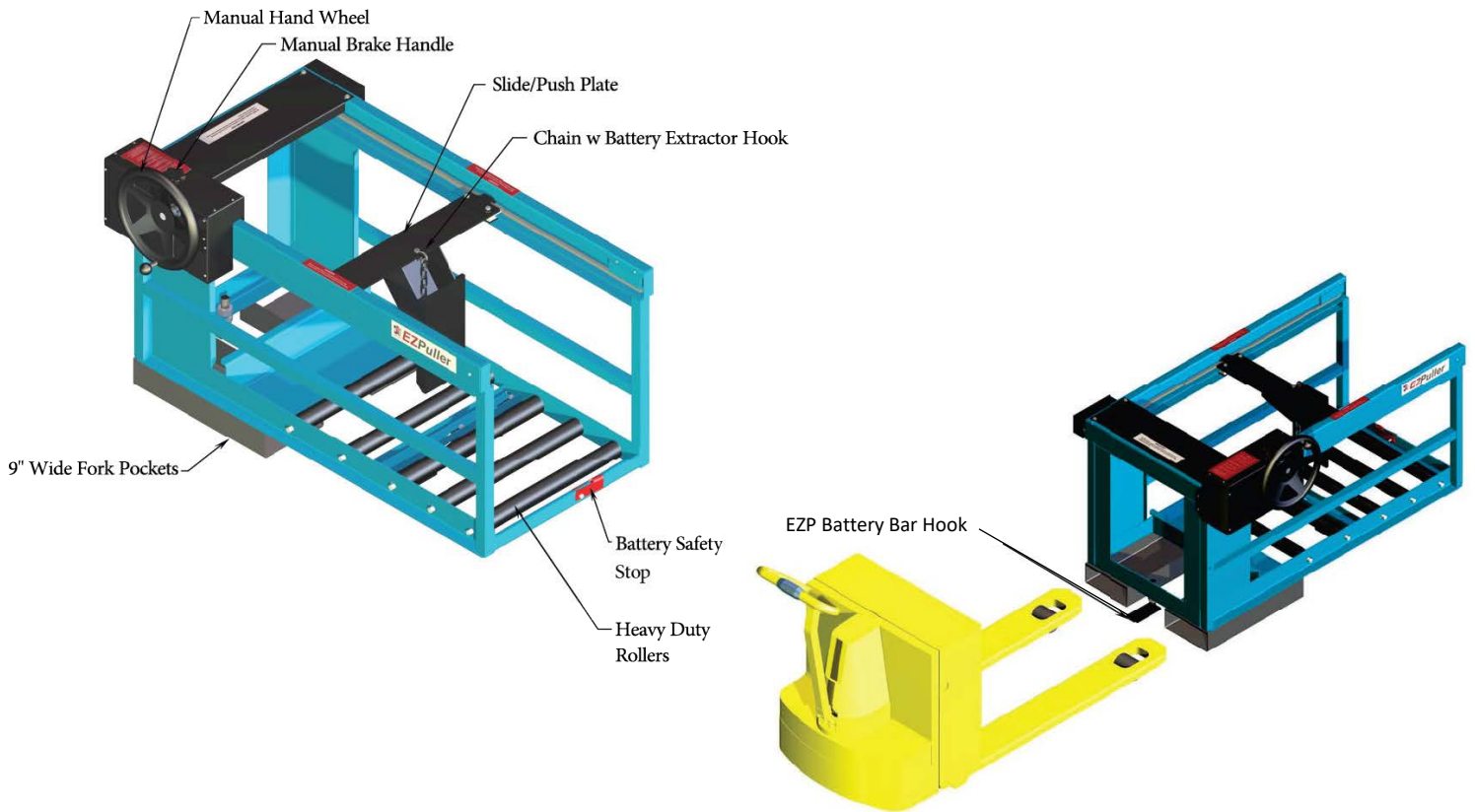
Fork Pockets Prevent User from Altering Existing Pallet Jack for Operation

Battery Safety Stop is Designed to Prevent Batteries from Rolling Off the Carriage and Must be in the upright Position to Transport Batteries

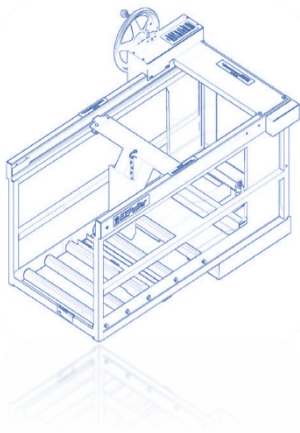
Manual Brake Knob Prevents Backlash of Crank Handle

EZ PULLER

SPECIFICATION SHEET



EZ PULLER WITH FORK POCKETS



Model	Max Battery Width	Weight Capacity	"R" Height
EZP-24-FP	24"	3000 lbs.	<ul style="list-style-type: none"> Reliant on Pallet Jack Raise/Lower Minimum removal height with fork pockets is 6-3/8"