



www.gomtc.com  
254-298-2900

# MWTS

MetalEX Water Treatment System

Feature Sheet

## Recycle it ... Don't Waste it

The MetalEX Water Treatment System utilizes a solids filter, and four chemicals to neutralize acids and remove contaminants.



**MTC's MWTS MetalEX Water Treatment System removes lead, heavy metals and other contaminants, making the water suitable for most public sanitary sewer systems.\***

## The MTC MWTS Water Treatment System

The MWTS pumps water from your battery washing system, cleans it, then stores it in the clean tank for reuse or discharges it to the sanitary sewer.

The MWTS treats Dirt and Suspended Solids, Heavy Metals, and Petroleum Based Products.

Consult factory before adding foreign chemicals to wash system.



The MWTS is controlled by the PLC. The PLC monitors liquid levels, pressure and flow and adjusts accordingly.

The MWTS incorporates an HMI (Human Machine Interface) which displays warnings and allows the user to change settings and perform diagnostics.



The MWTS uses four chemicals: sodium hydroxide, (caustic,) MetaIEX, aluminum sulfate (alum used as a coagulant) and polymer. Adjustable speed chemical injection pumps are used for injecting chemicals into the treatment tank.



The MWTS utilizes an air-operated stainless steel slant valve as it performs well in environments with debris and corrosive materials.



The MWTS recycle system includes a pressure pump that is set to turn off at pressure above 50 PSI and turn on at lower pressure. Pumps are fully automated and do not require a pressure tank to maintain pressure.



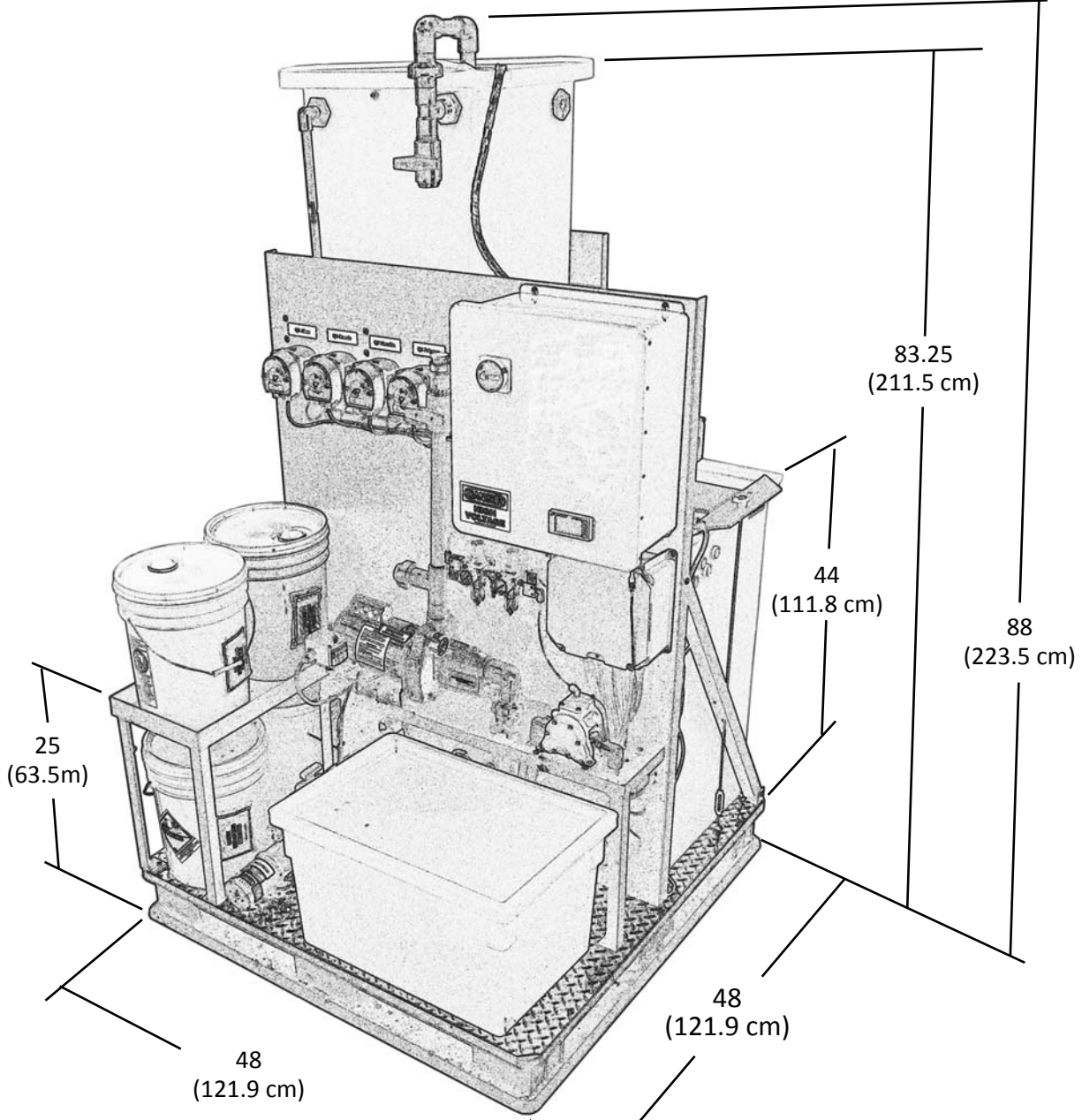
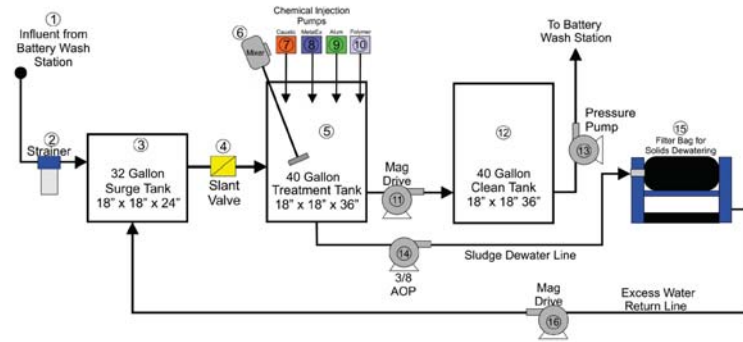
The paddle mixer in the treatment tank turns on when the top liquid level sensor in the treatment tank has lifted. The mixer motor speed is controlled by a VFD (Variable Frequency Drive) and is preset to 25 Hz.



Liquid Level Sensors: Reed type liquid level sensors are used throughout the system to monitor the water levels in the tanks. Liquid level sensors control the flow of water into and out of the surge tank.

# Flow Chart MWTS

## MWTS Water Treatment System



## Dimensions MWTS

MetalEx Water Treatment System





**MWTS VS H2O Water Treatment System Comparison**

Unit	H2O	MWTS
Neutralizes Acid	Yes	Yes
Test pH Levels	Yes	Yes
Removes Lead/Heavy Metals	No	Yes
Filters Contaminants	Yes	Yes
Use in Recirculation System	Yes	Yes
Discharge to Sanitary Sewer	No	Yes
Number of Filters	2-4	1
Filter Change Frequency	≥1/Week	≤1/Month
Ozone Bulb Replacement	Yes	No
Chemical Cost/Battery Wash	\$0.27 - \$1.08	\$0.15 – \$0.88
Battery Washes/Treatment Cycle	0.25-1	2-12
Max Battery Washes/Hour @1 Minute Wash Time	Over 6	Over 6

**Features**

The MWTS Water Treatment System can be combined with a WCA Wash Cabinet or WRR Wash Rack to form a closed loop recirculation system.

Removes lead, heavy metals and other contaminants, allowing disposal in most sanitary sewer systems.\*

Utilizes a single filter bag that requires changing only once a month.

**Notes:**

Specifications subject to Change without notice

Utilities and air supply to be provided by the customer.

\*Customer is responsible for the proper disposal and handling of contaminated water in accordance with local environmental law—i.e., ensuring water is sanitary sewer ready.

Always wear proper protection (MTC Model: SK-1 or equivalent) When handling or servicing industrial batteries.

\* Any city/county/state or federal permits required for site construction or operation of the MWTS are the responsibility of the end user.

**Benefits**

Reduces environmental impact by recycling battery wash water.

Reduces the cost of paying for waste disposal.

Saves time and money.