



www.gomtc.com
254-298-2900



All-Electric ABPG-24, 32, 40

MTC has developed the New All-Electric ABPG Side Removal Battery Changer to be:

- *More efficient - longer lasting battery life*
- *Cleaner - no hydraulic oil spills, ever!*
- *Smoother and quieter to operate*
- *More versatile - outrigger compatible, includes fork pockets*
- *Increased battery sizes, & capacities*
- *Available in 24v and 36v models with magnet and vacuum extraction.*



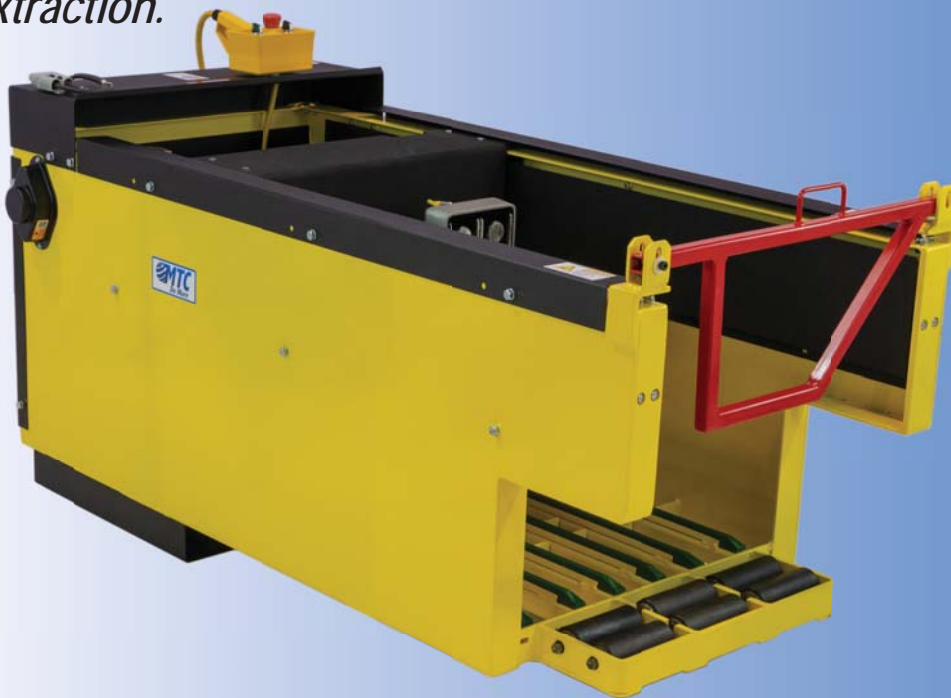
Electric Gearmotor drives two roller chains, moving the battery in and out of the carriage

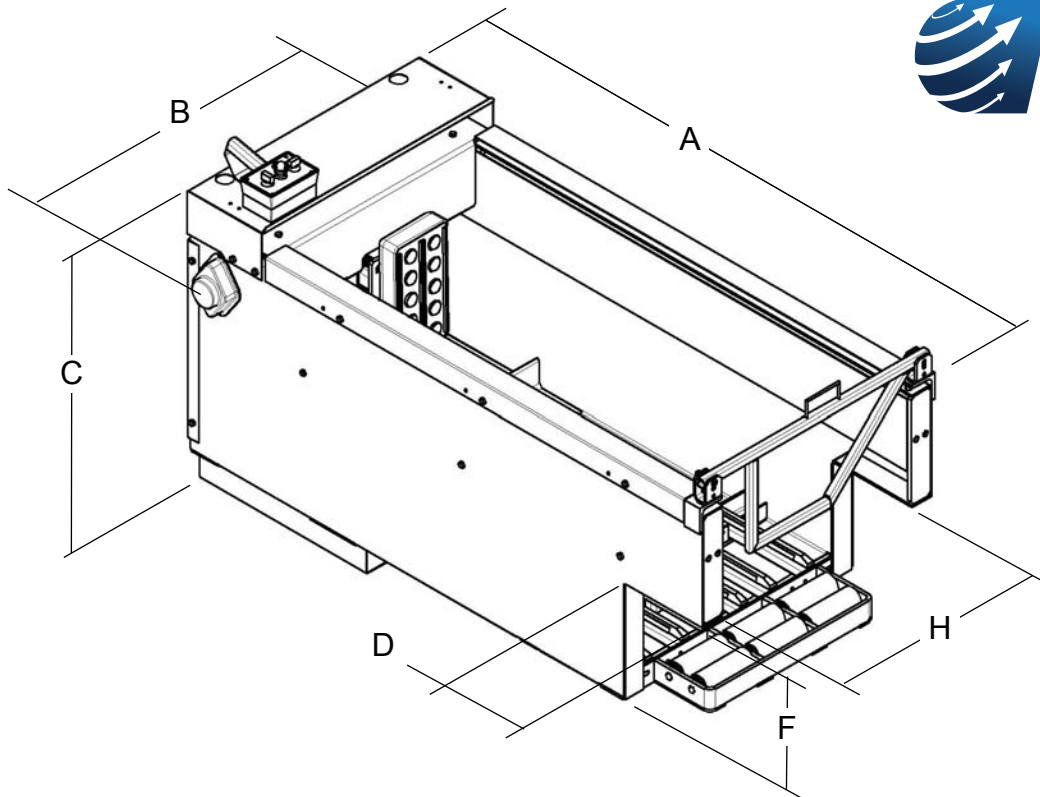


Tethered Remote Control has a magnet on the back and can be attached anywhere on the unit



"Y" Cable connects to Pallet-jack battery





UNIT		ABPG-24	ABP-32	ABP-40
Unit Capacity				
48" Forks		4000 lbs.		
60" Forks		5000 lbs.		
Dimensional Specifications				
A	Overall Length	68"		
B	Overall Width	35"	43"	51"
C	Overall Height	30.5"		
D	Outrigger Cutout Depth	10.375"		
E	Outrigger Cutout Width	4.25"	8.25"	12.25"
F	Outrigger Cutout Height	13.5"		
G	Compartment Depth	50.5" / 45.5"		
H	Compartment Width	24.75"	32.75"	40.75"
I	Recommended Minimum Battery Width*	6"		
J	Recommended Minimum Battery Height*	19"		
K	Recommended Maximum Battery Height*	32"	40"	48"
L	Recommended Maximum Battery Length	50.5"	50.5"	50.5"

* Contact Factory for applications outside this parameter.