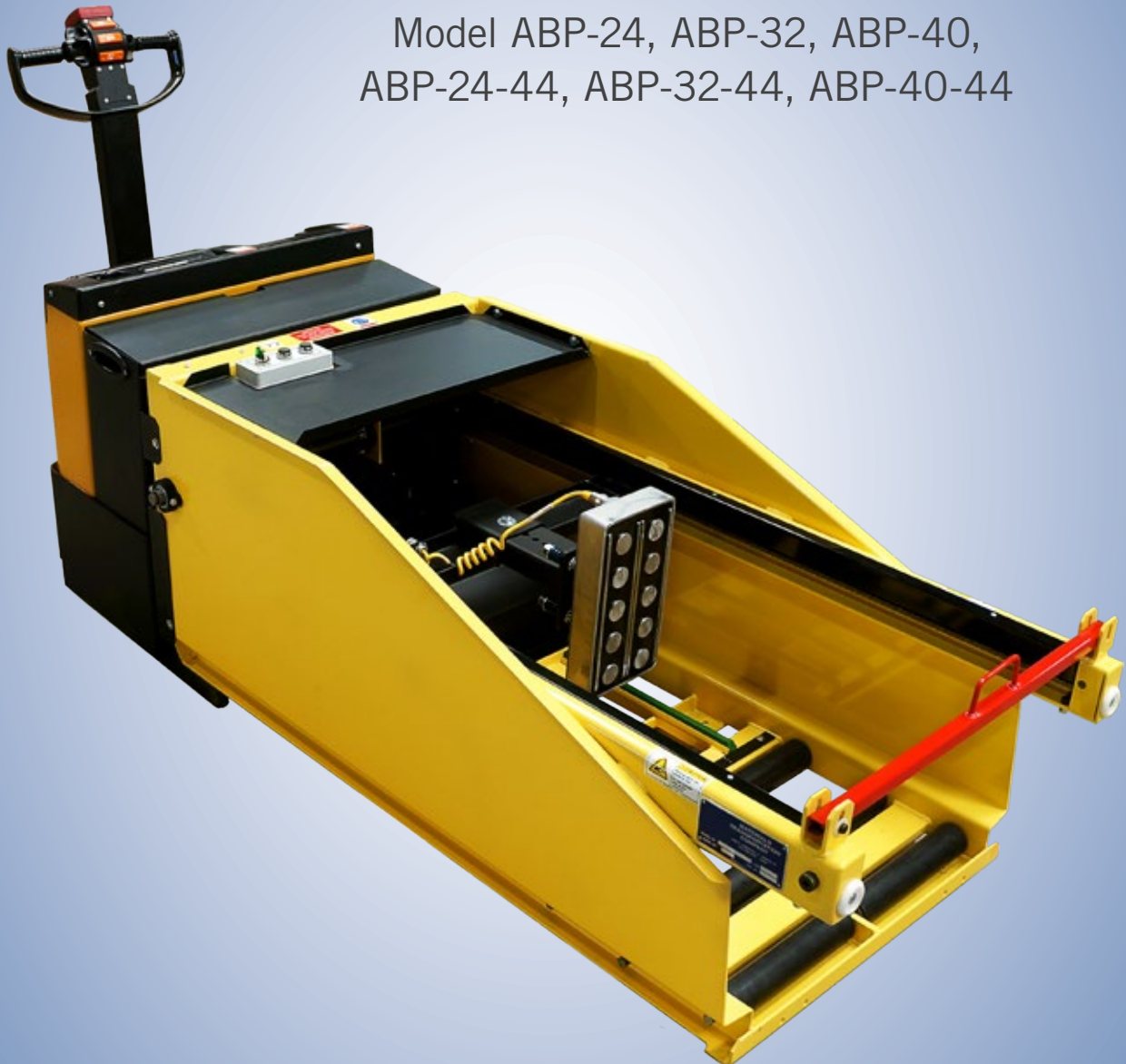


Attach-A-Puller Specification Sheet



Portable Battery Changers

Model ABP-24, ABP-32, ABP-40,
ABP-24-44, ABP-32-44, ABP-40-44



GoMTC.com/Battery

Attach-A-Puller

FEATURES:



Slide Strips

MTC designed our Attach-A-Puller (ABP), to be an economical attachment for a pallet jack.

Powered from the pallet jack battery, the ABP has an integrated carriage that uses a combination of rollers and slide strips. The slide strip bed in the carriage adds an extra level of battery protection while traveling. The static load and added friction help to stabilize the battery load during transport in a battery exchange.

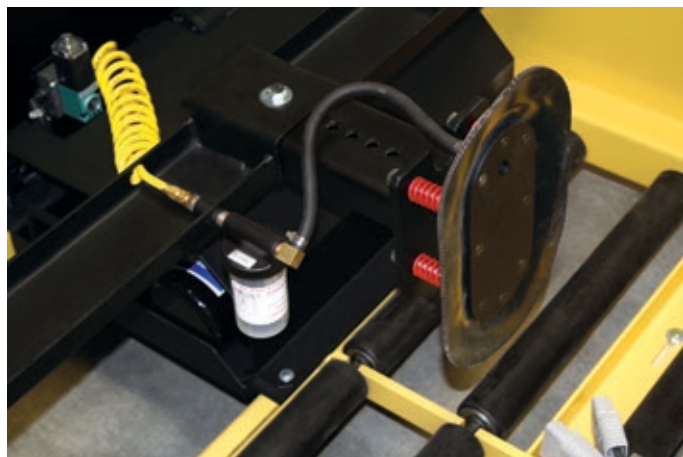
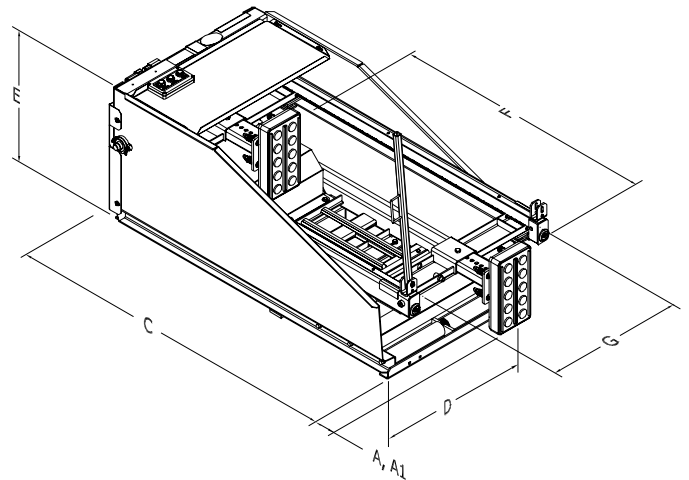
ABP optional features include a choice of vacuum or magnetic extraction and variable speed pump control, allowing the push/pull arm to have an infinitely adjustable speed from 0-22 feet per minute (0-6.71 meters per minute).

OPTIONS:



Magnet Assembly

ABP-24-M Dimensions
(See Chart)



Vacuum Cup Assembly

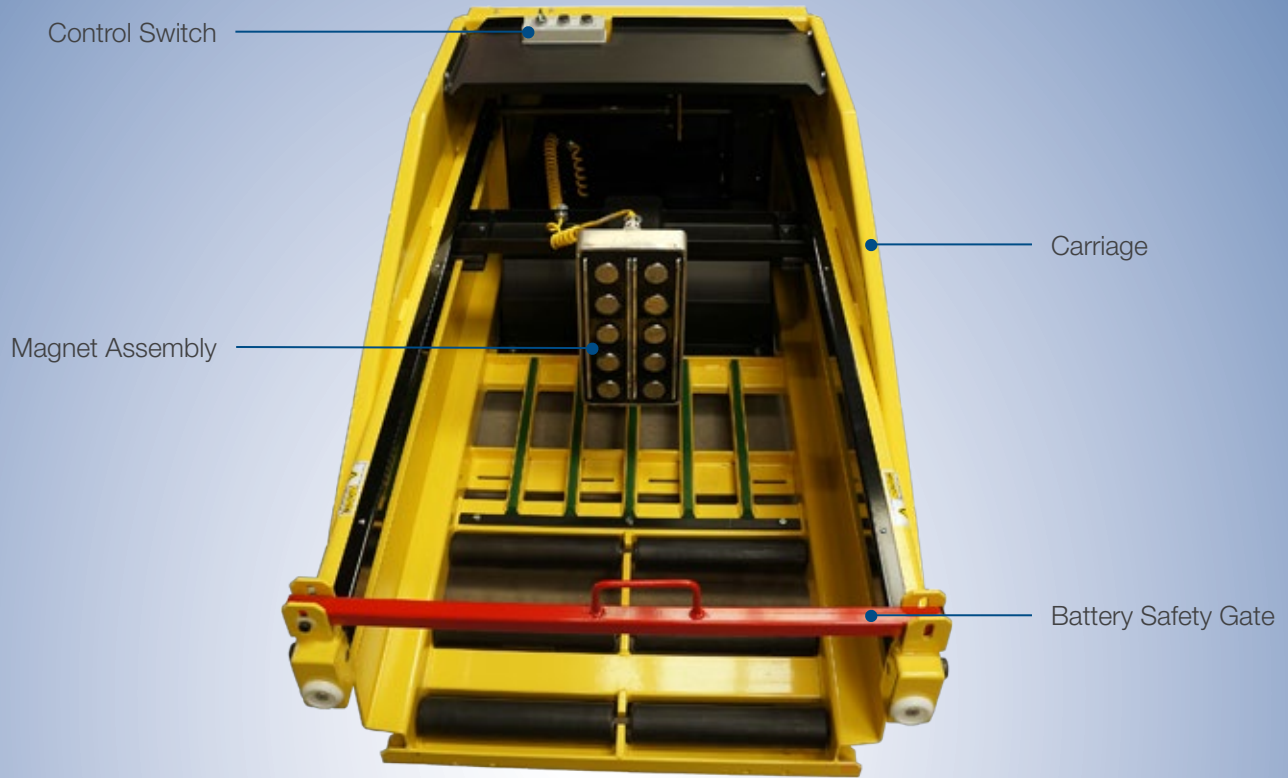
Please reference the dimensional data chart on page 3 to match the letters to the corresponding specifications.

GENERAL INFORMATION		ABP-24-M ABP-24-V		ABP-32-M APB-32-V		ABP-40-M APB-40-V		ABP-24-M-44 ABP-24-V-44		ABP-32-M-44 ABP-32-V-44		ABP-40-M-44 ABP-40-V-44	
1	Maximum Load Capacity with 48" forks lbs/kgs	3,000 lbs	1360.8kgs	3,000 lbs	1360.8kgs	3,000 lbs	1360.8kgs	2,000 lbs	907.2kgs	2,000 lbs	907.2kgs	2,000 lbs	907.2kgs
2	Maximum Load Capacity with 60" forks(lbs/kgs)	5,000 lbs	2268.0kgs	5,000 lbs	2268.0kgs	5,000 lbs	2268.0kgs	5,000 lbs	2268.0kgs	5,000 lbs	2268.0kgs	5,000 lbs	2268.0kgs
3	Hydraulic Pump Type	Gear											
4	Battery Attachment Mechanism	Magnet or Vacuum Cup											
5	System Voltage	12 & 24 Volt											
6	Battery Connector	SB175 Gray											
7	Standard Model Color (optional colors available)	Yellow											
8	Roller Diameter (in/mm)	2.50 in	63.5mm	2.50 in	63.5mm	2.50 in	63.5mm	2.50 in	63.5mm	2.50 in	63.5mm	2.50 in	63.5mm
9	Roller Shaft Size (in/mm)	0.69 in	17.5mm	0.69 in	17.5mm	0.69 in	17.5mm	0.69 in	17.5mm	0.69 in	17.5mm	0.69 in	17.5mm
10	Push/Pull Drive Chain Size	#40						#50					
REACH INFORMATION													
A	Magnet Reach (draw bar fully extended) (in/mm)	13.25 in	336.6mm	13.25 in	336.6mm	13.25 in	336.6mm	13.25 in	336.6mm	13.25 in	336.6mm	13.25 in	336.6mm
A1	Vacuum Cup Reach (draw bar fully extended) (in/mm)	9.75 in	247.7mm	9.75 in	247.7mm	9.75 in	247.7mm	9.75 in	247.7mm	9.75 in	247.7mm	9.75 in	247.7mm
BASIC DIMENSIONS													
B	Vacuum Cup Size (Standard/Optional)	10" round / 7" X 12" 254mm round / 177.8mm x 304.8mm											
C	Overall Length (in/mm)	64.50 in	1638.3mm	64.50 in	1638.3mm	64.50 in	1638.3mm	74.50 in	1892.3mm	74.50 in	1892.3mm	74.50 in	1892.3mm
D	Overall Width (in/mm)	33.75 in	857.3mm	41.75 in	1060.5mm	49.75 in	1263.7mm	33.75 in	857.3mm	41.75 in	1060.5mm	49.75 in	1263.7mm
E	Overall Height	26.75 in	679.5mm	26.75 in	679.5mm	26.75 in	679.5mm	26.75 in	679.5mm	26.75 in	679.5mm	26.75 in	679.5mm
F	Minimum Compartment Depth (draw bar fully extended)	40.00 in	1016mm	40.00 in	1016mm	40.00 in	1016mm	48.50 in	1231.9mm	48.50 in	1231.9mm	48.50 in	1231.9mm
G	Battery Compartment Width	25.00 in	635mm	33.00 in	838.2mm	41.00 in	1041.4mm	25.00 in	635mm	33.00 in	838.2mm	41.00 in	1041.4mm
H	Maximum Battery Length	43.00 in	1092.2mm	43.00 in	1092.2mm	43.00 in	1092.2mm	46.75 in	1187.5mm	46.75 in	1187.5mm	46.75 in	1187.5mm
I	Maximum Battery Width	24.00 in	609.6mm	32.00 in	812.8mm	40.00 in	1016mm	24.00 in	609.6mm	32.00 in	812.8mm	40.00 in	1016mm
J	Maximum Battery Height	35.00 in	889mm	35.00 in	889mm	35.00 in	889mm	35.00 in	889mm	35.00 in	889mm	35.00 in	889mm
K	Minimum Battery Length	13.50 in	342.9mm	13.50 in	342.9mm	13.50 in	342.9mm	13.50 in	342.9mm	13.50 in	342.9mm	13.50 in	342.9mm
L	Minimum Battery Width	8.50 in	215.9mm	8.50 in	215.9mm	8.50 in	215.9mm	10.00 in	254mm	10.00 in	254mm	10.00 in	254mm
M	Minimum Battery Height	19.00 in	482.6mm	19.00 in	482.6mm	19.00 in	482.6mm	19.00 in	482.6mm	19.00 in	482.6mm	19.00 in	482.6mm
N	Minimum Required Pallet Truck Fork Length	48.00 in	1219.2mm	48.00 in	1219.2mm	48.00 in	1219.2mm	60.00 in	1524mm	60.00 in	1524mm	60.00 in	1524mm
P	Mounting Holes (Centerline to Centerline)	33.31 in	846.1mm	33.31 in	846.1mm	33.31 in	846.1mm	36.25 in	920.8mm	36.25 in	920.8mm	36.25 in	920.8mm
R	Base to Roller Height	2.88 in	73mm	2.88 in	73mm	2.88 in	73mm	2.88 in	73mm	2.88 in	73mm	2.88 in	73mm
WEIGHTS													
S	Service Weight Excluding Pallet Truck and Battery	670 lbs	303.9kgs	720 lbs	326.6kgs	770 lbs	349.3kgs	815 lbs	369.7kgs	865 lbs	392.4kgs	915 lbs	415.4kgs
PERFORMANCE													
T	Rated Draw Bar Pull	700 lbs	317.5kgs	700 lbs	317.5kgs	700 lbs	317.5kgs	900 lbs	408.2kgs	900 lbs	408.2kgs	900 lbs	408.2kgs
U	Arm Travel	22 feet per minute 6.71 meters per minute											

Notes

1. Specifications subject to change without notice.
2. All models available with magnet or vacuum cup attachment per customer request.
3. Equipment can be modified for lower battery heights per request.
4. Performance may vary +/-5% due to system efficiency tolerance. The performance shown represents nominal values obtained under typical operating conditions.

ABP Features and Benefits



Features

- Mounts to your existing pallet truck
- Powered vacuum/electro-magnet extraction
- 12 VDC or 24 VDC models available
- 24", 32", 40" (609.6mm, 812.8mm, 1016.0mm) wide battery compartments
- Attach-A-Puller controls mount for operation from either side
- Powered by pallet truck battery
- Mechanical battery safety stop
- "Raise/Lower" function of pallet truck adjusts the roller height of Attach-A-Puller unit

Benefits

- Keeps the cost of battery changing system to a minimum by adapting to existing equipment
- Reliable, powerful, and consistent battery attachment
- Ensures that Attach-A-Puller will work with existing pallet truck
- Capable of handling essentially all lift truck battery sizes
- Allows easy adaptability to various applications
- Eliminates the need for an additional power source
- Protects operator and surrounding personnel from possible injury during battery transport
- Keeps cost of Attach-A-Puller low by relying on pallet truck lift

P.O. Box 1358 Temple, Texas 76503 USA
Phone: (254) 298-2900 • US (800) 433-3110

Fax: (254) 771-0287

Email: Battery@GoMTC.com

GoMTC.com/Battery

